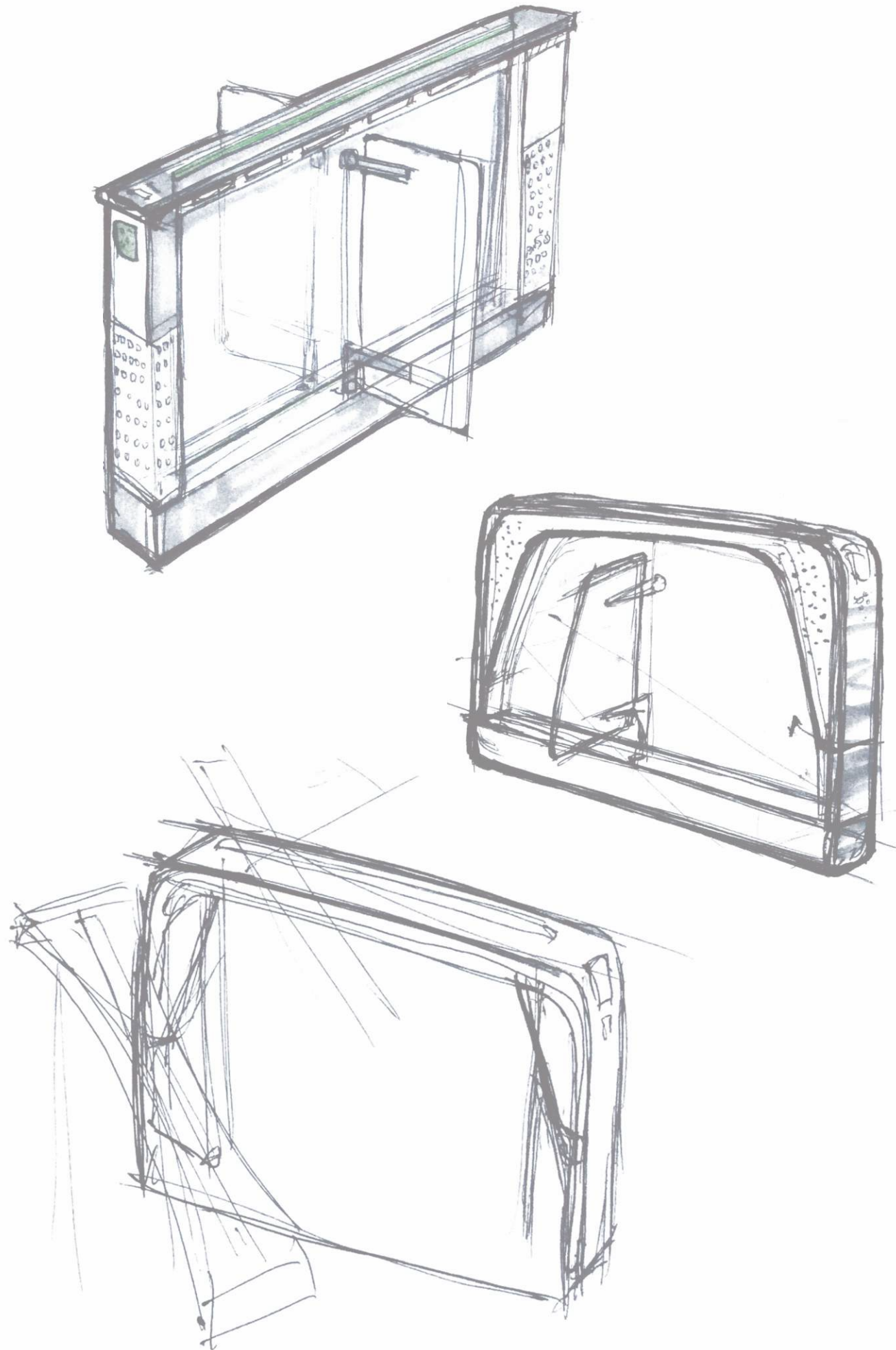




Turnstiles  
Railing systems  
Swing gates  
Card collectors

[www.oxgard.com](http://www.oxgard.com)





Turnstiles  
Railing systems  
Swing gates  
Card collectors

Today we cannot imagine our life without turnstiles. They are part of our environment and are present everywhere: in the underground, shopping malls, airports, train stations, medical institutions, gyms and manufacturing enterprises.

The turnstile today is a guarantee of our safety in public places: strangers will not penetrate into closed objects; violators will not access locations where tickets are issued; there will be no crush in crowded places. The turnstile is an assistant in solving a large number of tasks.

Taking care of you, Ovgard





Oxgard is more than a turnstile. Your Oxgard is a pass to a safe and free world of possibilities: from complete confidence in the highest quality of execution to unequalled service and support.

Oxgard turnstiles have been produced since 2004 in St. Petersburg. Being incredibly reliable in operation, and having a pleasant-looking cleanliness of the lines, the turnstiles are equipped with a unique "Anti-Panic" function. In case of emergency, you can be sure in the safety of your employees.

Thanks to the possibility of integration with any ACS, Oxgard turnstiles are installed and work flawlessly in many government agencies, business centres, banks, manufacturing plants and trade organizations.



The turnstiles of the Cube series will pleasantly surprise even the most demanding clients with the simplicity of their lines and modern design, while the price will be an additional incentive to purchase.

The Praktika series is no exception. Every detail of these turnstiles is made in compliance with strict standards from the highest quality materials - this is the embodiment of our company's philosophy.

The Quick Line series is designed for the most demanding tastes. Stunning beauty and the most modern materials, smooth lines and LED lighting, are complemented by exceptional efficiency in work that meets your expectations.

We share your vision of high quality and elegance. Our company is known for its commitment to advanced technologies. We supply our products all over the world and guarantee your safety.

The Oxgard turnstile is a vivid example of taking care of you! manufacturing plants and trade organizations.



## Table of content

---

### Tripods

Cube C-01.....	5
Cube C-02.....	7
Cube C-03.....	9
Cube C-05.....	11
Cube C-21.....	13
Praktika T-01.....	15

### Two-legs tripods

Cube C-04.....	17
Praktika T-02.....	19
Praktika T-03.....	21
Praktika T-03-D.....	23

### Speed gates

Praktika T-04.....	25
Praktika T-05.....	27
Praktika T-06.....	29
Praktika T-07.....	31
Praktika T-08.....	33
Quick Line QL- 04.....	35
Quick Line QL- 05.....	37

### Card collectors

Praktika K-01.....	39
Quick Line K -02.....	40

### Full-height turnstiles

C-10.....	41
T-10.....	43
Praktika Double Pass T-10-DP.....	45
Quick Line QL-10.....	47

### Passages

T-04.....	49
T-05.....	50
T-06.....	51
T-07.....	52
QL-04.....	53
QL-05.....	54

### Swing gates

Motorized swing gate K-14.....	55
Motorized swing gate K-17.....	56
Swing gates.....	57

### Barriers and Railing systems

Glass barriers.....	61
Full-height barriers.....	62
Connectors for full-height barriers.....	63
Railing stands.....	65
Removable railing stands.....	69
Mobile railing stands.....	72
Stands for glass barriers.....	78
Glass for Railing systems.....	79
Barrier wings.....	80
Modular systems.....	80
Rails.....	80

### Table

Product range table.....	81
--------------------------	----



# Cube C-01

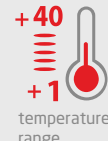
## turnstile

### Description

- electromechanical turnstile with built-in electronic control
- combined housing: stainless and powder-coated steel
- blocking arms included in the delivery set
- remote control included in the delivery set
- reliable fixation
- easy in mounting
- passage indication
- mechanical anti-panic function
- easy access to the mechanism
- free passage in case of power loss
- safe use
- integration with any ACS via dry contacts



patent



temperature range



number of passages



mechanical anti-panic



electromechanics



people/min

### Supply options

- control unit
- card readers
- swing gate
- barrier
- separately mounted card collector
- uninterruptible or standard power supply
- housing color customization

### Characteristics

- power supply 12 V
- power consumption 20 W
- number of passage directions - 2
- one-at-a-time admission rate per/min - 30 people/min
- free pass admission rate per/min - 60 people/min
- operational temperature range: from +1°C up to +40°C
- mean passes to failure - from 4 500 000 passages

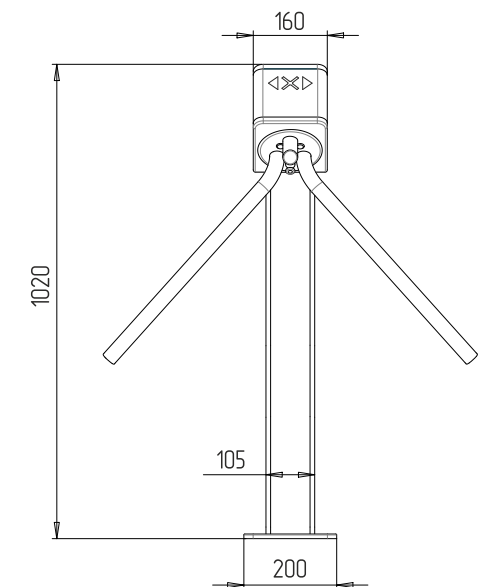
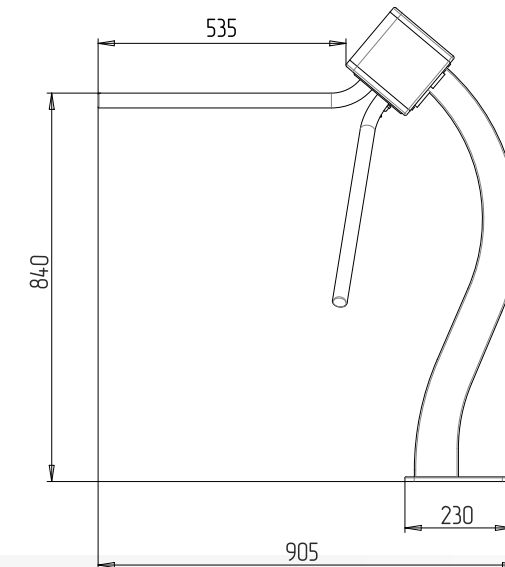
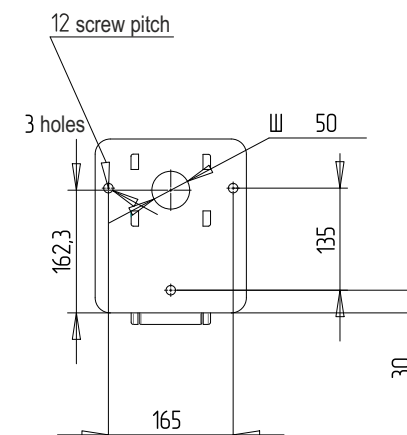
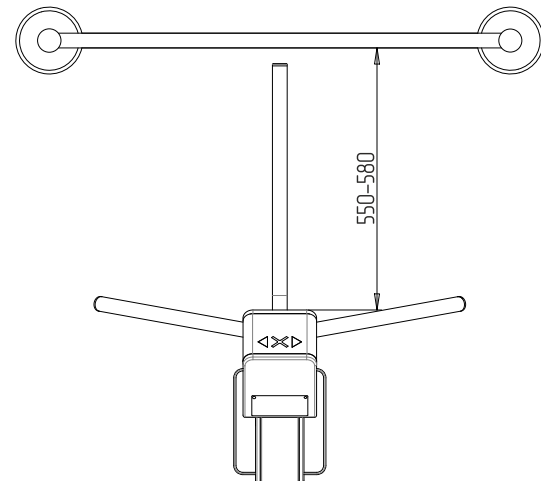
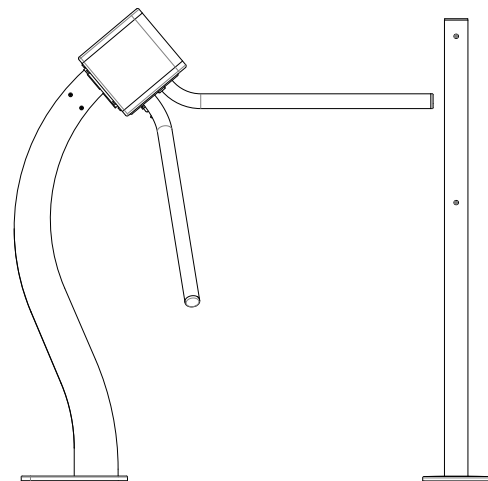
### Version



C-01 white painted



C-01 red painted



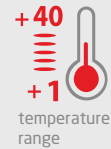
# Cube C-02

## turnstile



### Description

- electromechanical turnstile with built-in electronic control
- mounting to the wall
- combined housing: stainless and powder-coated steel
- blocking arms included in the delivery set
- remote control included in the delivery set
- reliable fixation
- easy in mounting
- passage indication
- mechanical anti-panic function
- easy access to the mechanism
- free passage in case of power loss
- safe use
- integration with any ACS via dry contacts



### Supply options

- control unit
- card readers
- swing gate
- barrier
- separately mounted card collector
- uninterruptible or standard power supply
- housing color customization

### Characteristics

- power supply 12 V
- power consumption 20 W
- number of passage directions - 2
- one-at-a-time admission rate per/min - 30 people/min
- free pass admission rate per/min - 60 people/min
- operational temperature range: from +1°C up to +40°C
- mean passes to failure - from 4 500 000 passages
- formed passage width - 550-580 mm

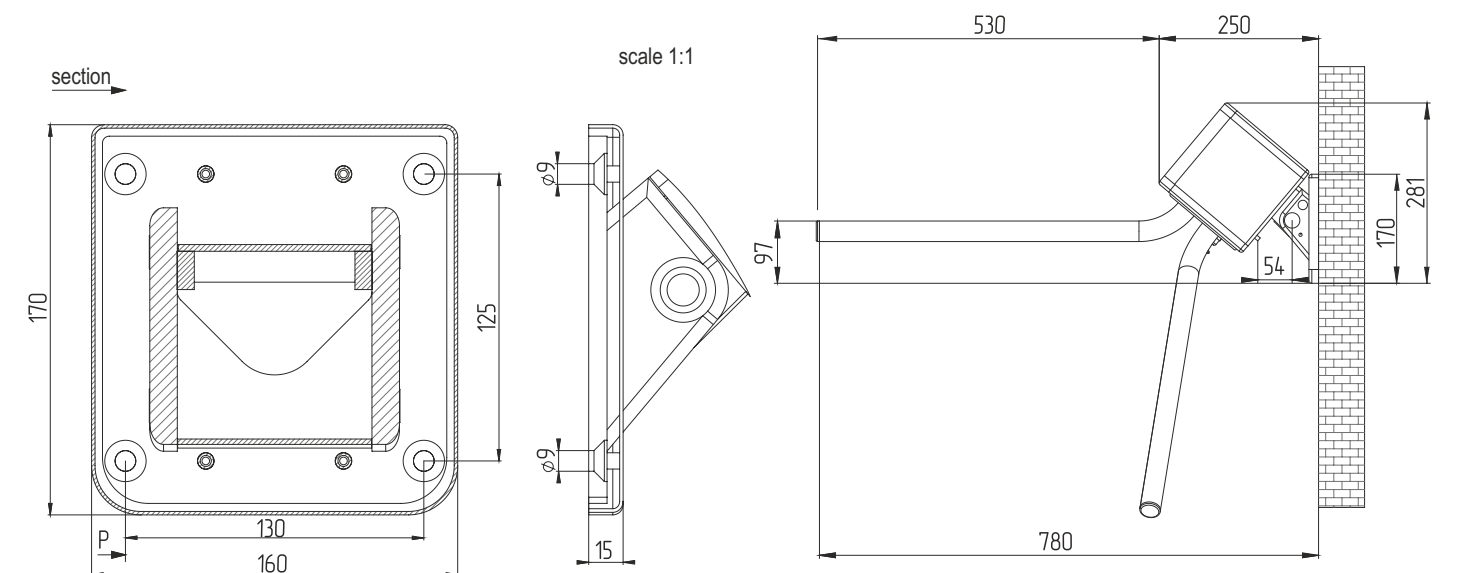
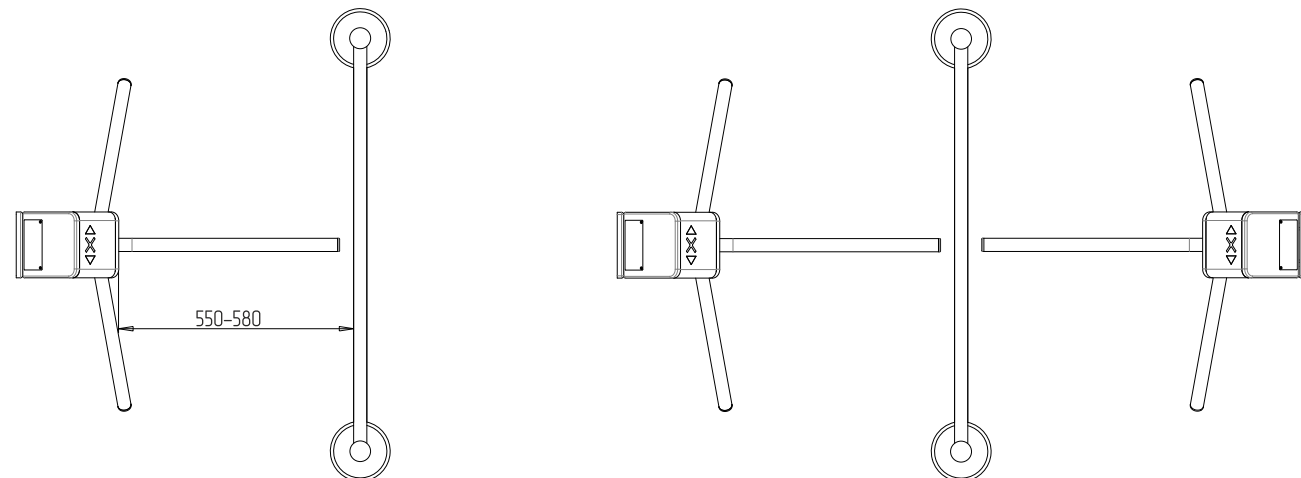
### Version



C-02 white painted



C-02 red painted



# Cube C-03

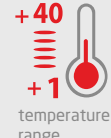
## turnstile

### Description

- electromechanical turnstile with built-in electronic control
- combined housing: stainless and powder-coated steel
- blocking arms included in the delivery set
- remote control included in the delivery set
- reliable fixation
- easy in mounting
- passage indication
- mechanical anti-panic function
- easy access to the mechanism
- free passage in case of power loss
- safe use
- integration with any ACS via dry contacts



patent



temperature range



number of passages



mechanical anti-panic



electromechanics



people/min

### Supply options

- control unit
- card readers
- swing gate
- barrier
- separately mounted card collector
- uninterruptible or standard power supply
- housing color customization

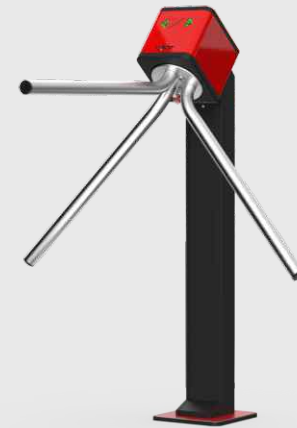
### Characteristics

- power supply 12 V
- power consumption 20 W
- number of passage directions - 2
- one-at-a-time admission rate per/min - 30 people/min
- free pass admission rate per/min - 60 people/min
- operational temperature range: from +1°C up to +40°C
- mean passes to failure - from 4 500 000 passages
- formed passage width - 550-580 mm

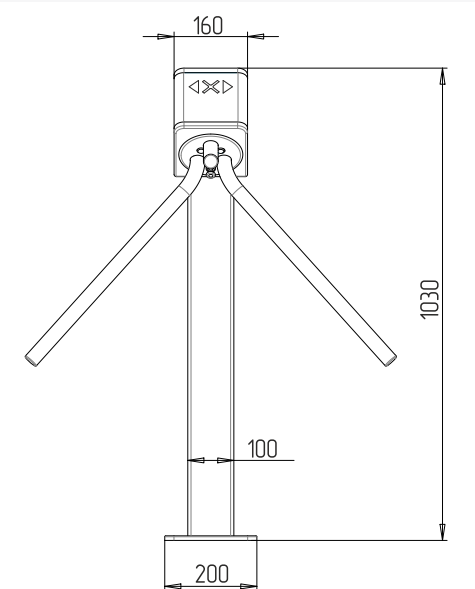
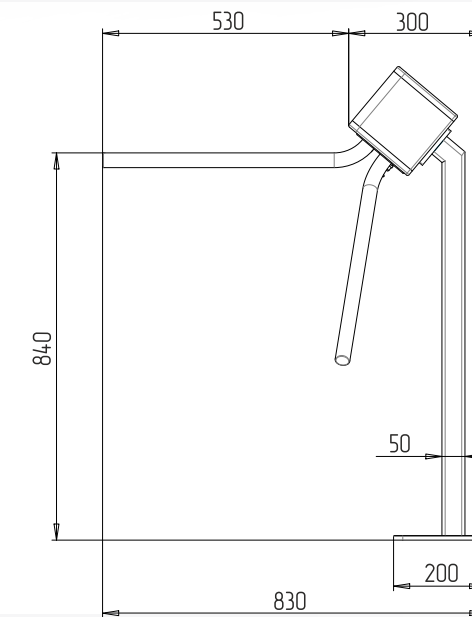
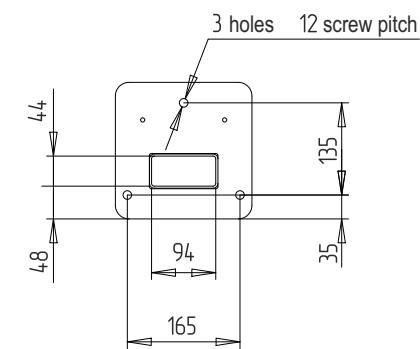
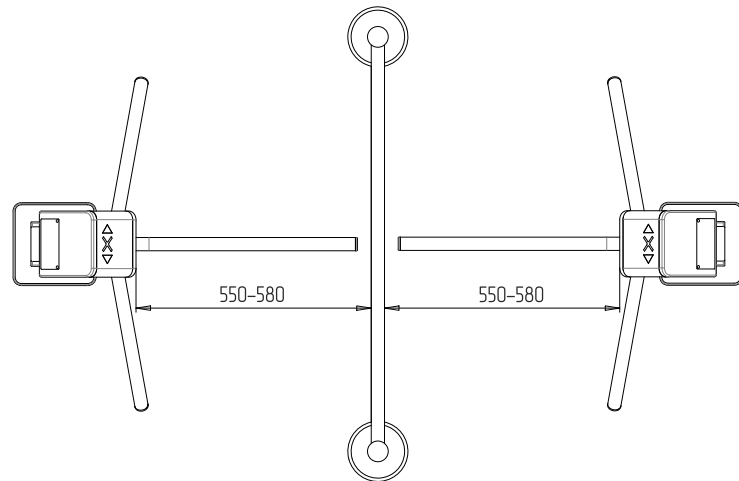
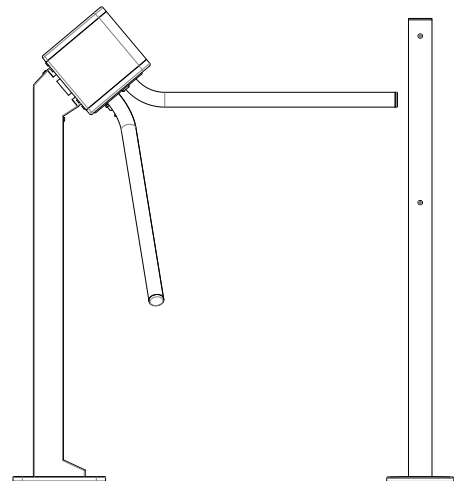
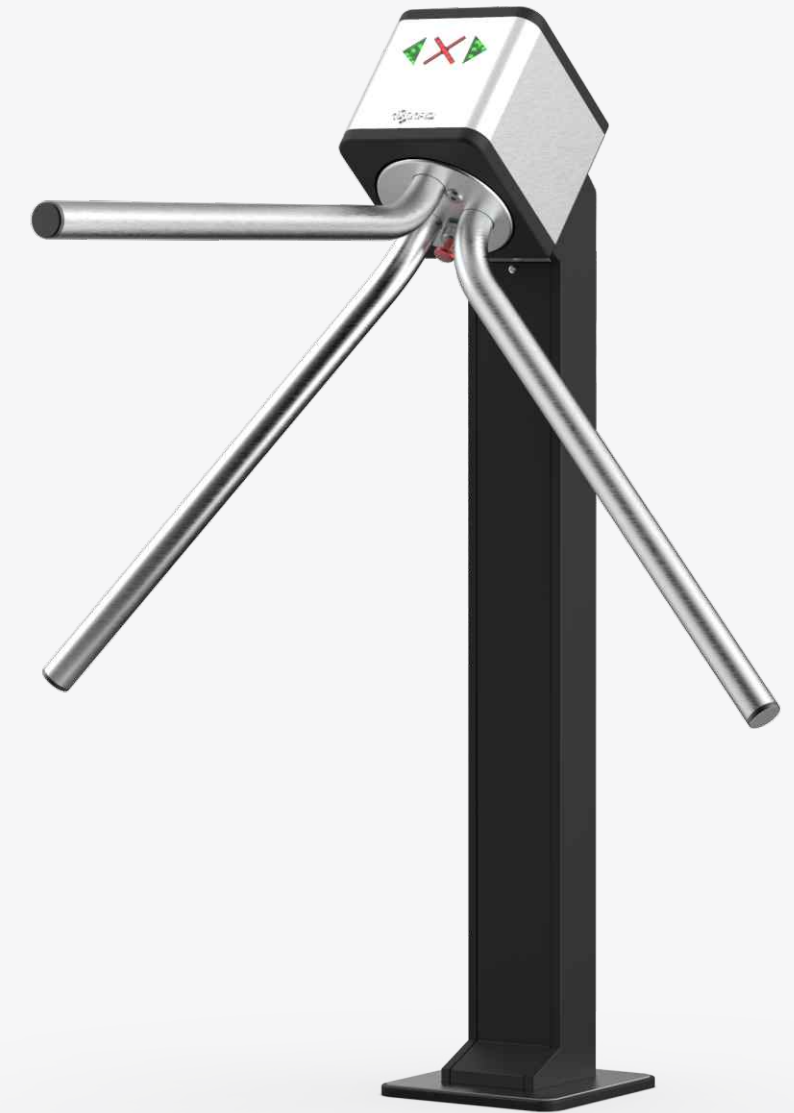
### Version



C-03 white painted



C-03 red painted





# Cube C-05

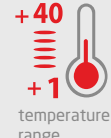
## turnstile

### Description

- electromechanical turnstile with built-in electronic control
- combined housing: stainless and powder-coated steel
- blocking arms included in the delivery set
- remote control included in the delivery set
- reliable fixation
- easy in mounting
- passage indication
- automatic anti-panic function
- easy access to the mechanism
- free passage in case of power loss
- safe use
- integration with any ACS via dry contacts



patent



temperature range



number of passages



mechanical anti-panic



electromechanics



people/min

### Supply options

- control unit
- card readers
- swing gate
- barrier
- separately mounted card collector
- uninterruptible or standard power supply
- housing color customization

### Characteristics

- power supply 12 V
- power consumption 20 W
- number of passage directions - 2
- one-at-a-time admission rate per/min - 30 people/min
- free pass admission rate per/min - 60 people/min
- operational temperature range: from +1°C up to +40°C
- mean passes to failure - from 4 500 000 passages
- formed passage width - 565-595 mm

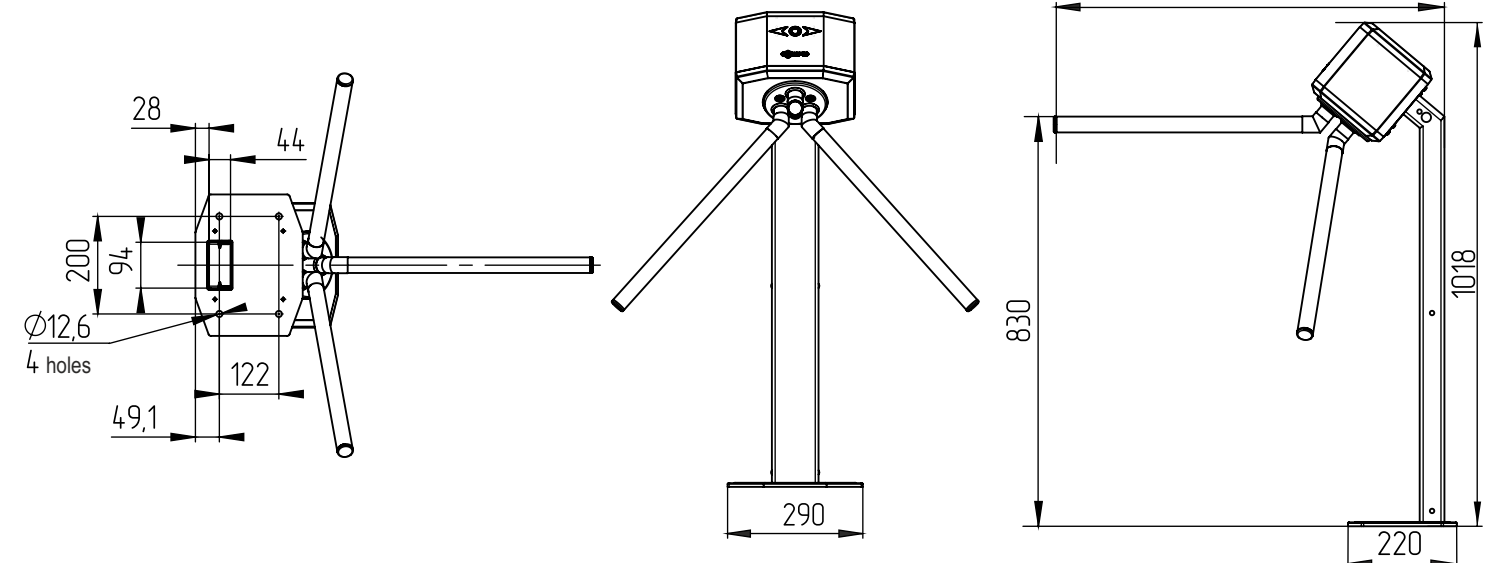
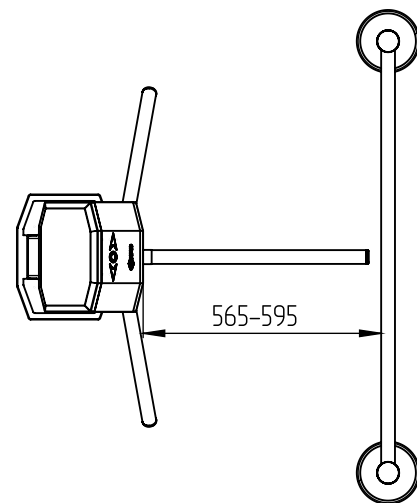
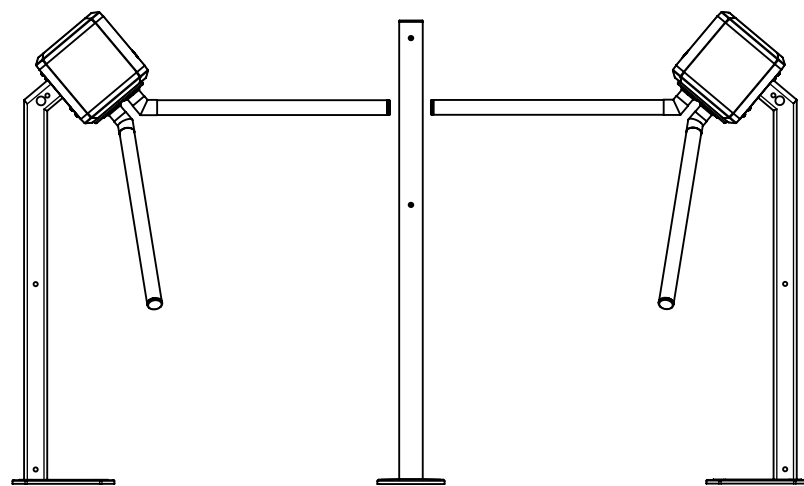
### Version



C-05-2R



C-05-2R red



# Cube C-21

## turnstile

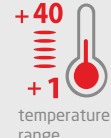


### Description

- electromechanical turnstile with built-in electronic control
- combined housing: stainless and powder-coated steel
- blocking arms included in the delivery set
- remote control included in the delivery set
- reliable fixation
- easy in mounting
- passage indication
- automatic anti-panic function
- easy access to the mechanism
- free passage in case of power loss
- safe use
- integration with any ACS via dry contacts



patent



temperature range



number of passages



mechanical anti-panic



electromechanics



people/min

### Supply options

- control unit
- card readers
- swing gate
- barrier
- separately mounted card collector
- uninterruptible or standard power supply
- housing color customization

### Characteristics

- power supply 12 V
- power consumption 20 W
- number of passage directions - 2
- one-at-a-time admission rate per/min - 30 people/min
- free pass admission rate per/min - 60 people/min
- operational temperature range: from +1°C up to +40°C
- mean passes to failure - from 4 500 000 passages
- formed passage width - 565-595 mm

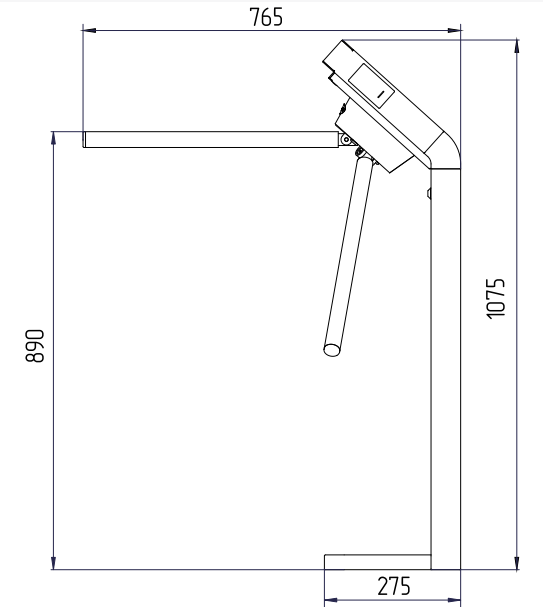
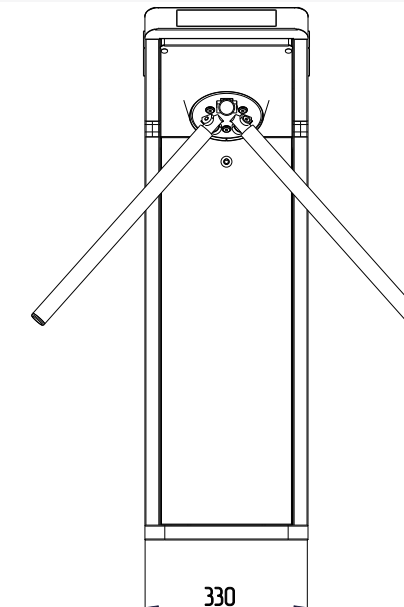
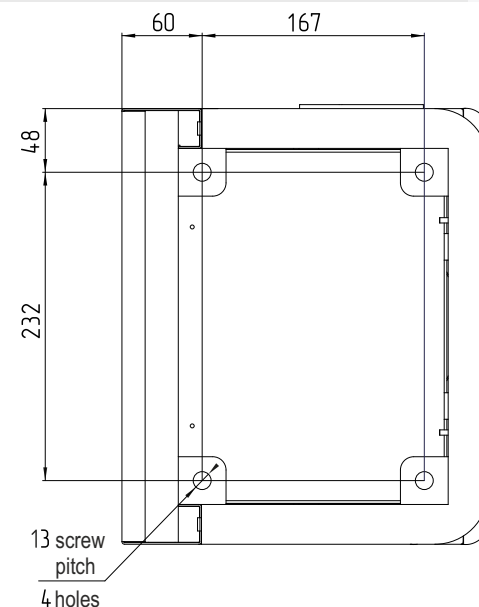
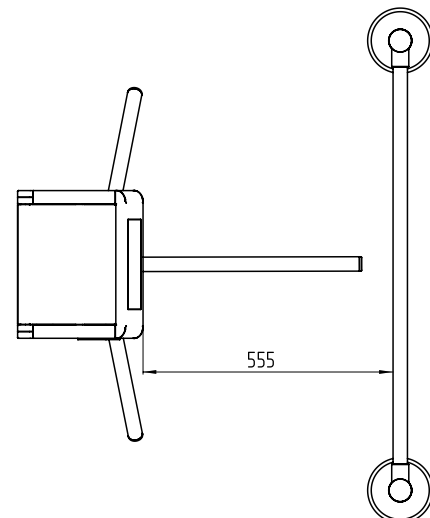
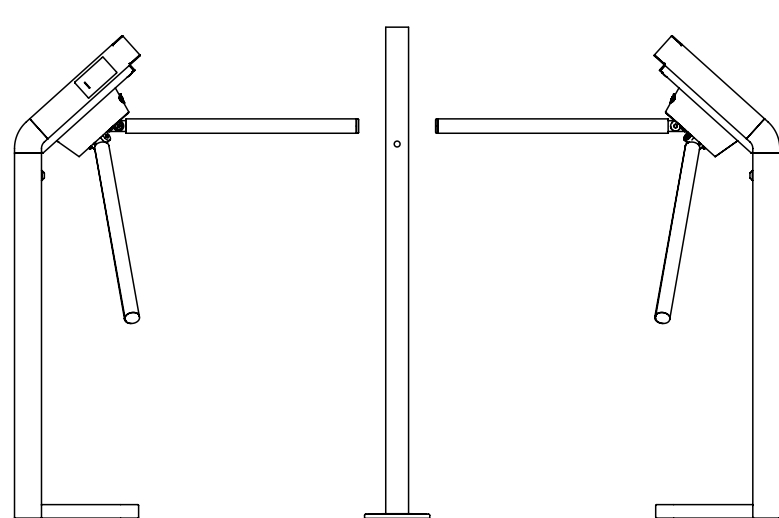
### Version



C-21-2R



C-21 red



# Praktika T-01

## turnstile

### Description

- motorized turnstile with built-in electronic control
- housing from stainless steel
- polished artificial stone lid
- passage indication
- arms included in the delivery set
- remote control included in the delivery set
- easy in mounting
- reliable fixation
- automatic anti-panic function
- automatic release of passage in 2,5 seconds
- mechanical arms' folding in case of power loss
- easy access to the mechanism
- free passage in case of power loss
- safe use
- integration with any ACS via dry contacts
- dimensions allow you to install any additional equipment inside the housing



patent



temperature range



number of passages



motorized turnstile



mechanical anti-panic



protection degree



people/min

### Supply options

- control unit
- barcode scanner
- card reader
- swing gate
- barrier
- uninterruptible or standard power supply

### Characteristics

- power supply 12 V
- power consumption 60 W
- number of passage directions - 2
- one-at-a-time admission rate per/min - 30 people/min
- free pass admission rate per/min - 60 people/min
- operational temperature range: from +1°C up to +40°C
- mean passes to failure - from 4 500 000 passages

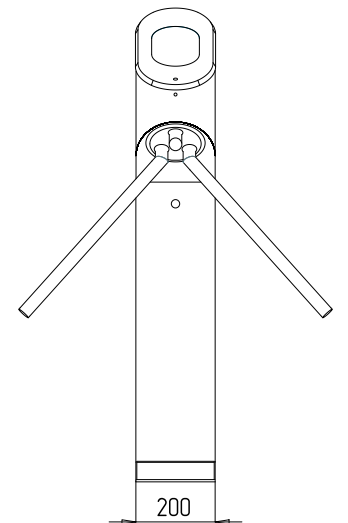
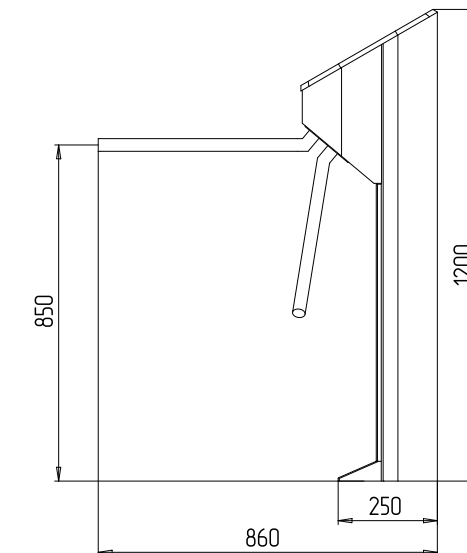
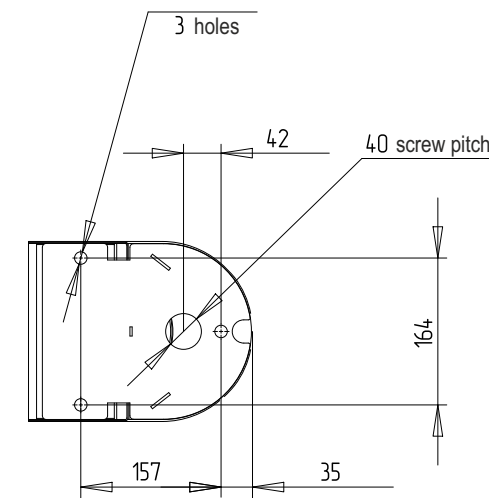
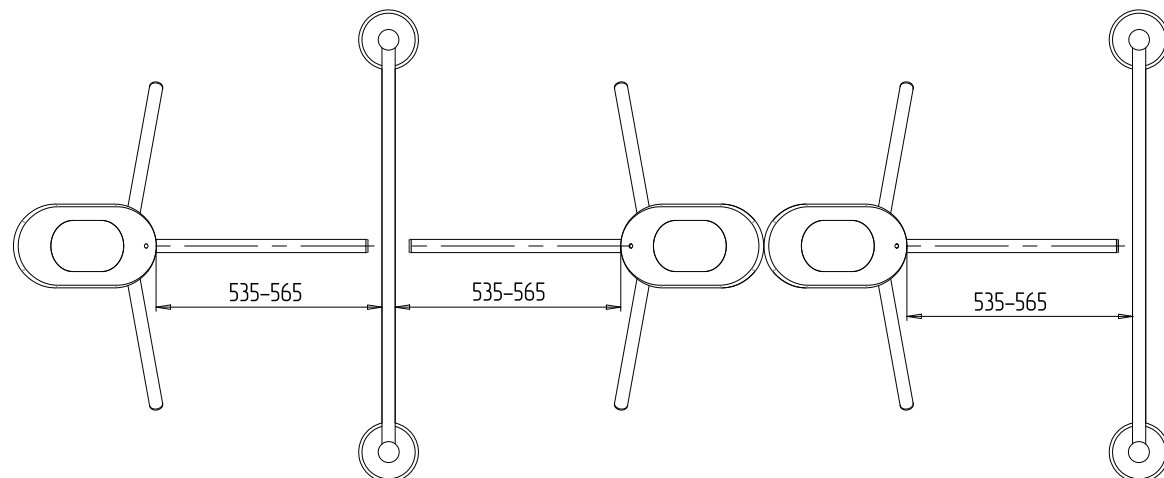
### Version



T-01-2R



T-01 Aqua





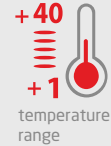
# Cube C-04

## turnstile



### Description

- electromechanical turnstile with built-in electronic control
- combined housing: stainless and powder-coated steel
- LED illumination of housing and readers (optionally)
- blocking arms included in the delivery set
- remote control included in the delivery set
- reliable fixation
- easy in mounting
- passage indication
- mechanical anti-panic function
- easy access to the mechanism
- free passage in case of power loss
- safe use
- integration with any ACS via dry contacts
- dimensions allow you to install any additional equipment inside the housing



### Supply options

- control unit
- card readers
- swing gate
- barrier
- uninterruptible or standard power supply
- housing color customization

### Characteristics

- power supply 12 V
- power consumption 40 W
- number of passage directions - 2
- one-at-a-time admission rate per/min - 30 people/min
- free pass admission rate per/min - 60 people/min
- operational temperature range: from +1°C up to +40°C
- mean passes to failure - from 4 500 000 passages
- formed passage width - 565-595 mm

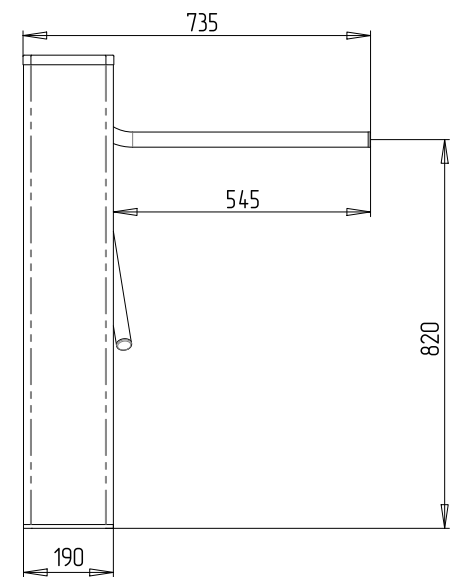
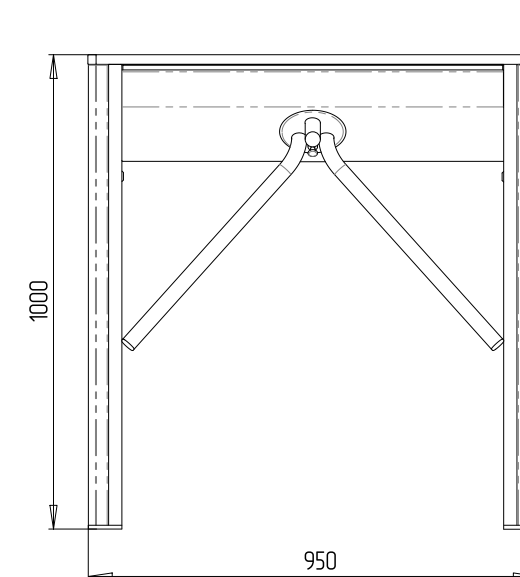
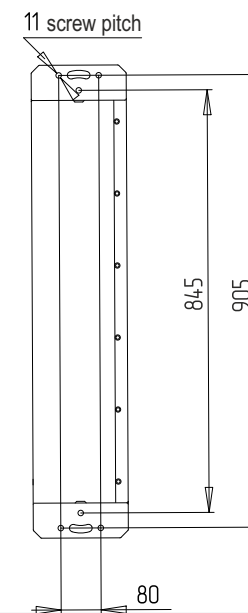
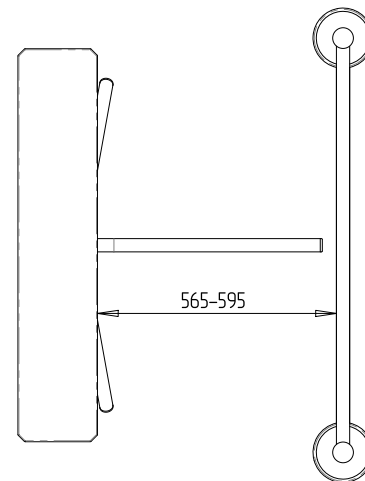
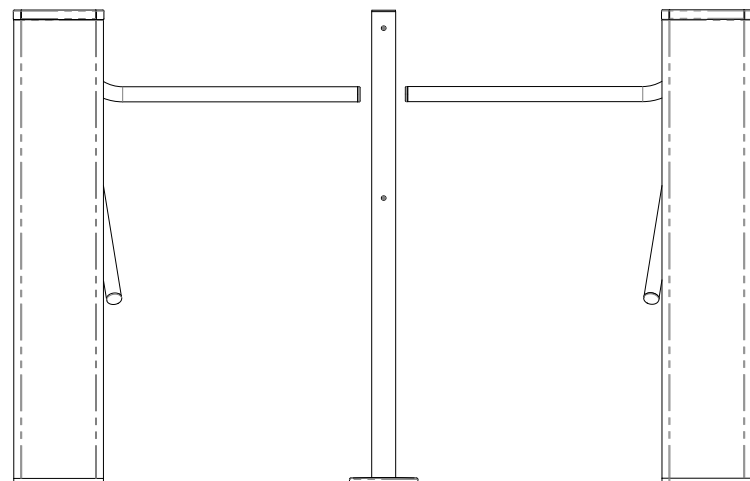
### Version



Cube C-04-H



Cube C-04 red painted



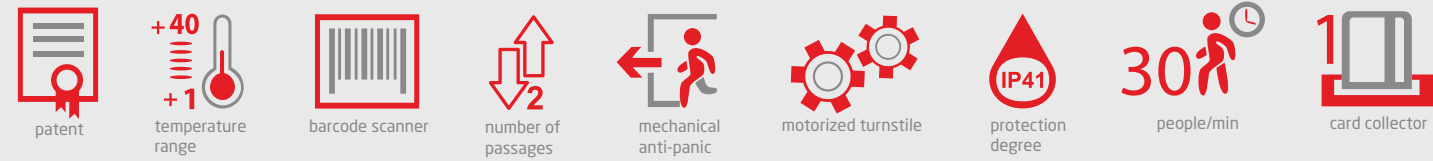
# Praktika T-02

## turnstile



### Description

- motorized two-stands turnstile with built-in electronic control
- housing from stainless steel
- polished artificial stone lid
- passage indication
- arms included in the delivery set
- remote control included in the delivery set
- easy in mounting
- reliable fixation
- automatic anti-panic function
- automatic release of passage in 2,5 seconds
- mechanical arms' folding in case of power loss
- free passage in case of power loss
- card collector for up to 500 cards (optionally)
- easy access to the mechanism
- safe use
- outside installation under the shelter (Praktika T-02-A turnstile)
- integration with any ACS via dry contacts
- dimensions allow you to install any additional equipment inside the housing



### Supply options

- control unit
- barcode scanner
- card readers
- swing gate
- barrier
- uninterruptible or standard power supply
- biometric scanner

### Characteristics

- power supply 12 V
- power consumption 60 W
- number of passage directions - 2
- one-at-a-time admission rate per/min - 30 people/min
- free pass admission rate per/min - 60 people/min
- operational temperature range: from +1°C up to +40°C; from -40°C up to +40°C for Praktika T-02-A
- mean passes to failure - from 4 500 000 passages

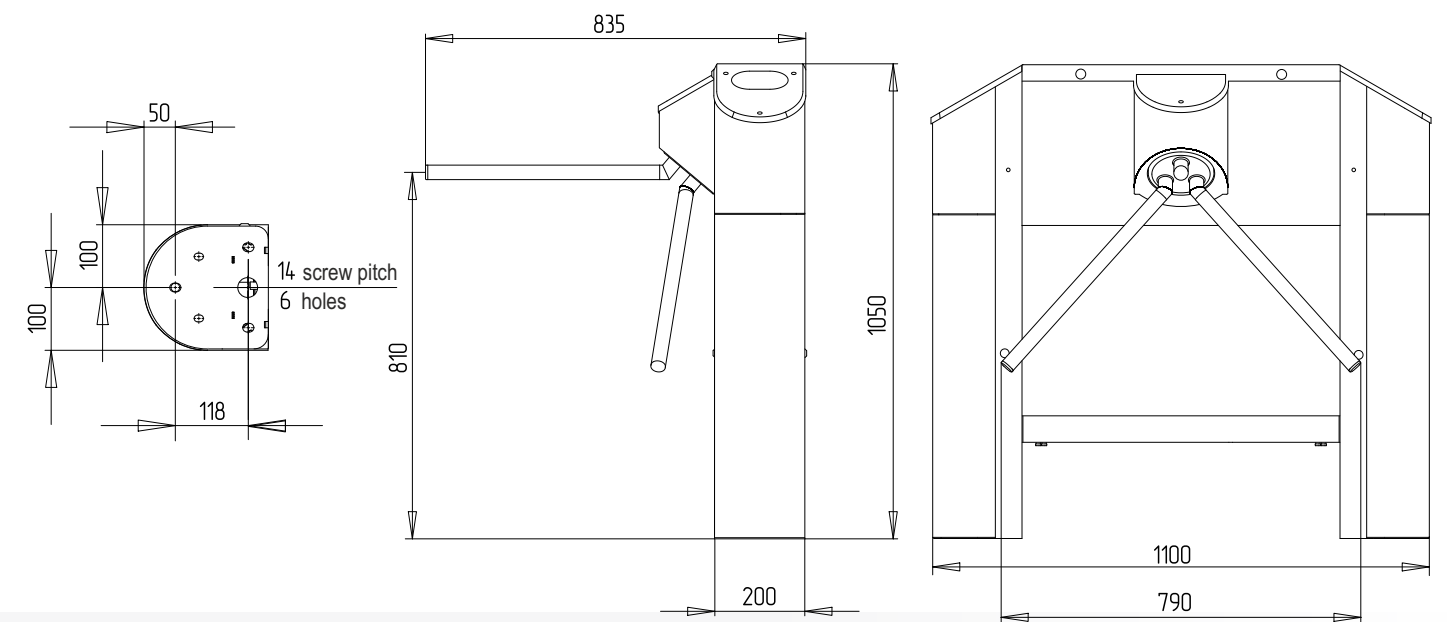
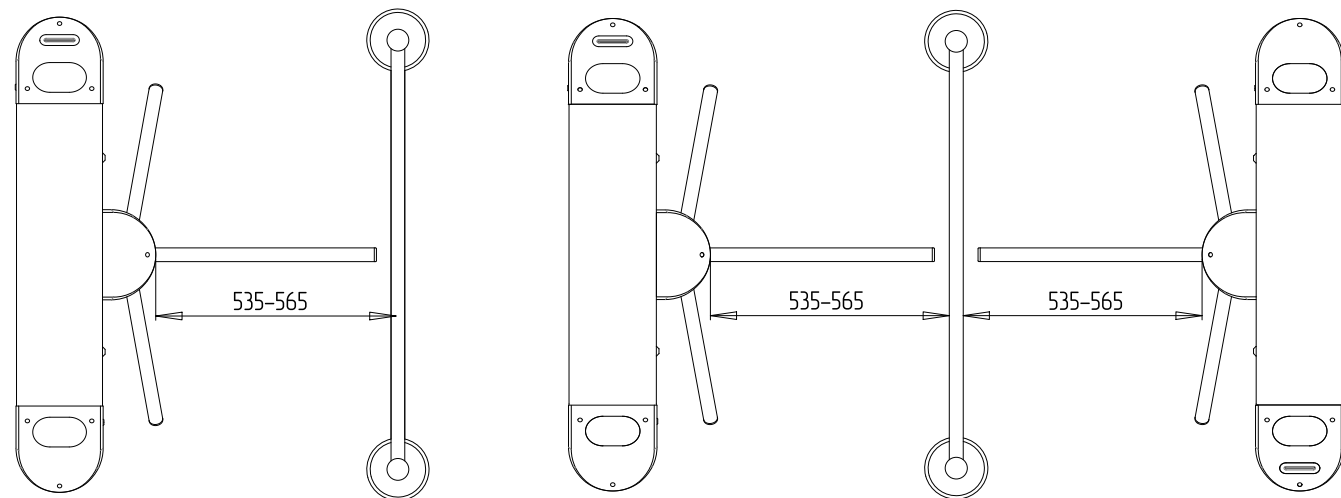
### Version



T-02-A



T-02-K



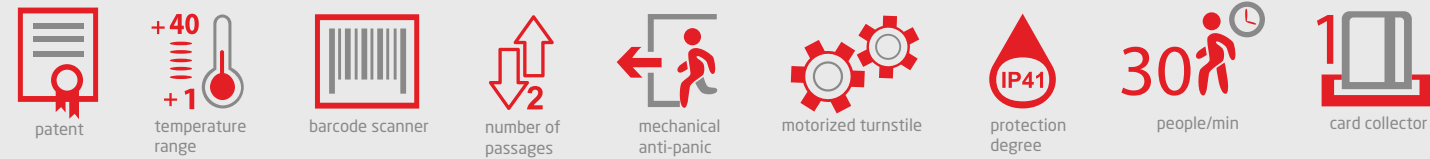
# Praktika T-03

## turnstile



### Description

- motorized two-stands turnstile with built-in electronic control
- decorated with glass inserts
- housing from stainless steel
- polished artificial stone lid
- passage indication
- arms included in the delivery set
- remote control included in the delivery set
- easy in mounting
- reliable fixation
- automatic anti-panic function
- automatic release of passage in 2,5 seconds
- mechanical arms' folding in case of power loss
- free passage in case of power loss
- card collector for up to 500 cards (optionally)
- easy access to the mechanism
- safe use
- integration with any ACS via dry contacts
- dimensions allow you to install any additional equipment inside the housing



### Supply options

- control unit
- barcode scanner
- card readers
- swing gate
- barrier
- uninterruptible or standard power supply
- biometric scanner

### Characteristics

- power supply 12 V
- power consumption 60 W
- number of passage directions - 2
- one-at-a-time admission rate per/min - 30 people/min
- free pass admission rate per/min - 60 people/min
- operational temperature range: from +1°C up to +40°C;
- mean passes to failure - from 4 500 000 passages

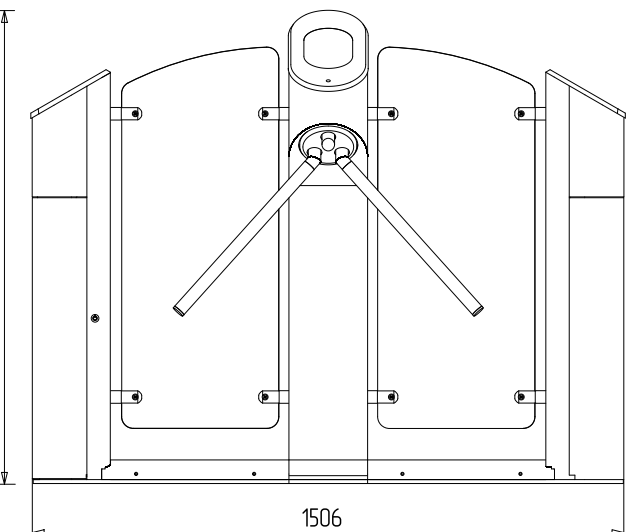
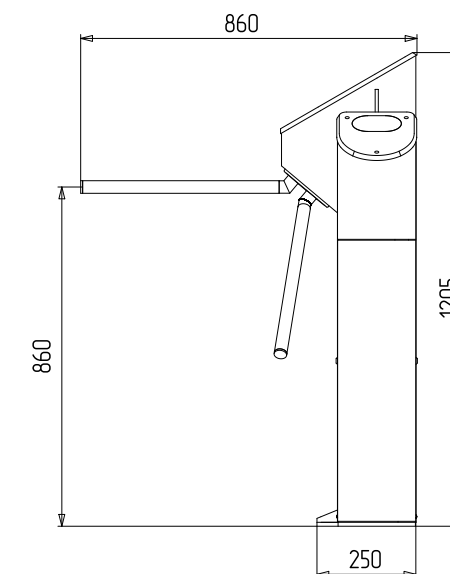
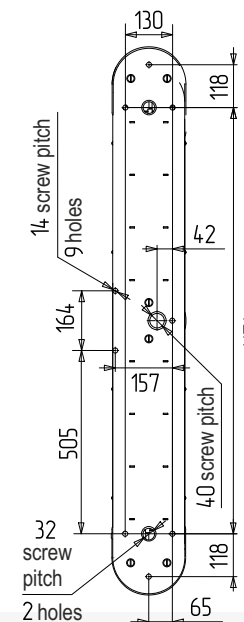
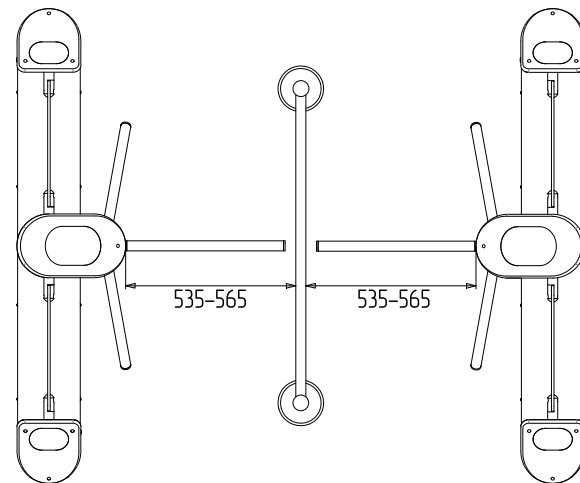
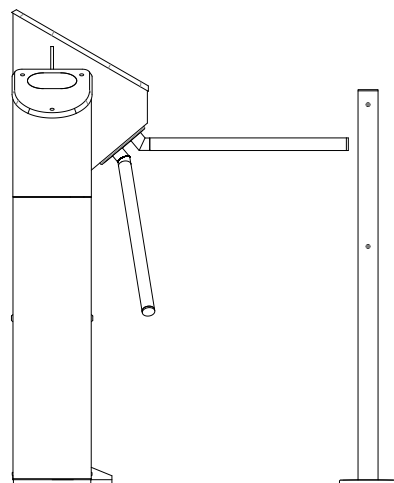
### Version



T-03-K



T-03 painted





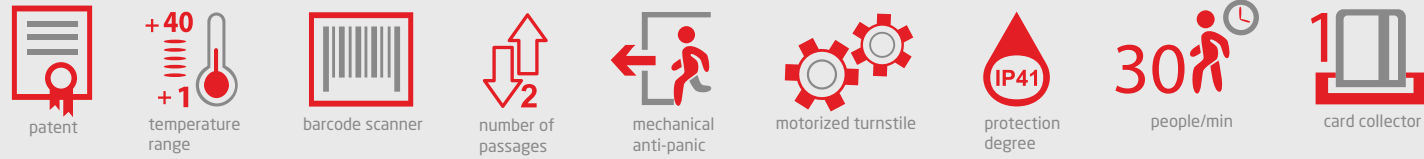
# Praktika T-03-D

## turnstile



### Description

- motorized two-stands turnstile with built-in electronic control
- decorated with glass inserts
- housing from stainless steel
- polished artificial stone lid
- passage indication
- arms included in the delivery set
- 2 remote control devices included in the delivery set
- easy in mounting
- reliable fixation
- automatic anti-panic function
- automatic release of passage in 2,5 seconds
- mechanical arms' folding in case of power loss
- free passage in case of power loss
- allows you to organize two-sided passage
- card collector for up to 500 cards (optionally)
- easy access to the mechanism
- safe use
- integration with any ACS via dry contacts
- dimensions allow you to install any additional equipment inside the housing



### Supply options

- control unit
- barcode scanner
- card readers
- swing gate
- barrier
- uninterruptible or standard power supply
- biometric scanner

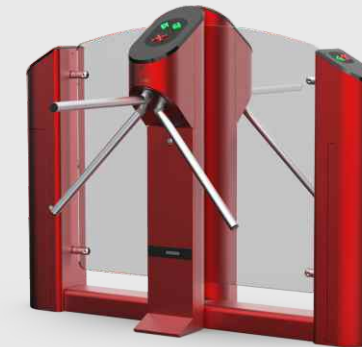
### Characteristics

- power supply 12 V
- power consumption 120 W
- number of passage directions - 4
- one-at-a-time admission rate per/min - 60 people/min
- free pass admission rate per/min - 120 people/min
- operational temperature range: from +1°C up to +40°C;
- mean passes to failure - from 4 500 000 passages

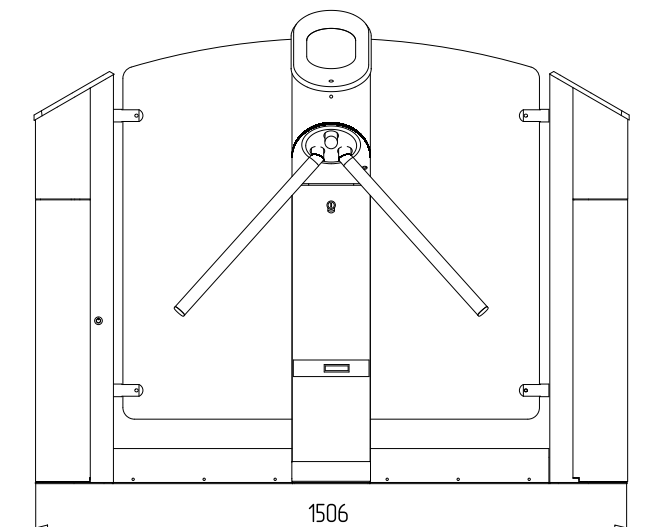
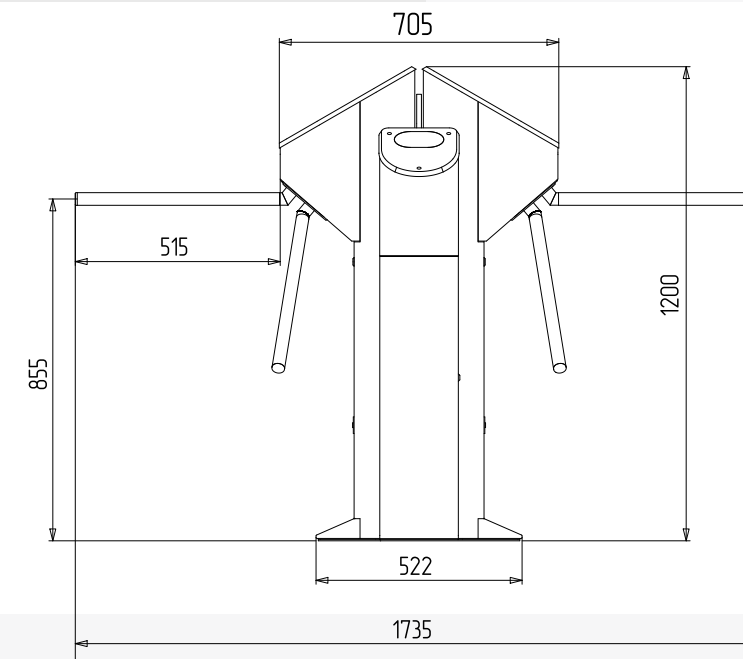
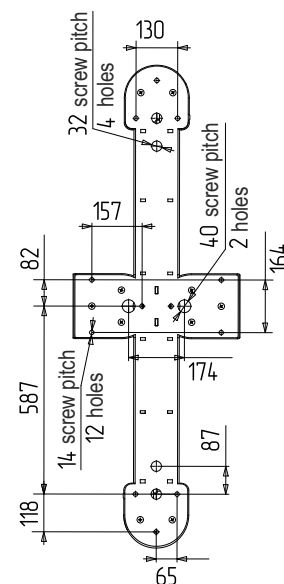
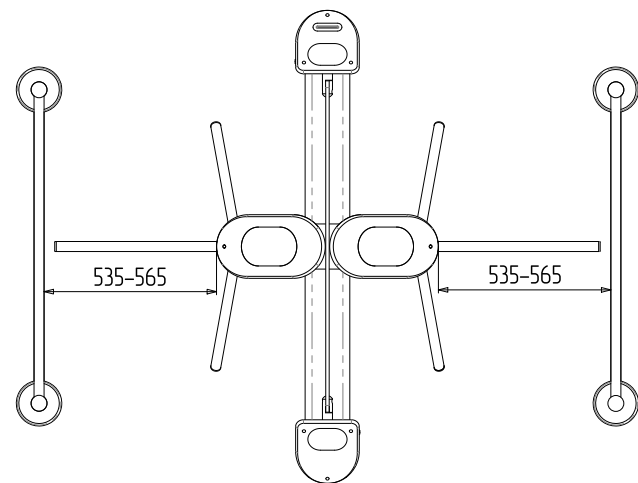
### Version



T-03-DK



T-03-D painted



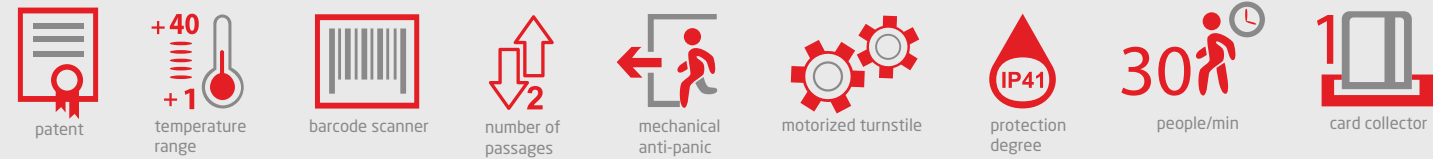
# Praktika T-04

## turnstile



### Description

- motorized speed-gate with built-in electronic control
- housing from stainless steel
- lightweight design
- polished artificial stone lid
- passage indication
- glass included in the delivery set
- remote control included in the delivery set
- easy in mounting
- reliable fixation
- automatic anti-panic function
- mechanical unblocking of glass doors
- allows you to organize two-sided passage
- card collector for up to 500 cards (optionally)
- easy access to the mechanism
- safe use
- integration with any ACS via dry contacts
- dimensions allow you to install any additional equipment inside the housing



### Supply options

- built-in card collector
- control unit
- barcode scanner
- card readers
- swing gate
- barrier
- uninterruptible or standard power supply
- biometric scanner

### Characteristics

- power supply 12 V
- power consumption 60 W - side module
- power consumption 120 W - central module
- number of passage directions - 2
- one-at-a-time admission rate per/min - 30 people/min
- free pass admission rate per/min - 60 people/min
- operational temperature range: from +1°C up to +40°C;
- mean passes to failure - from 4 500 000 passages

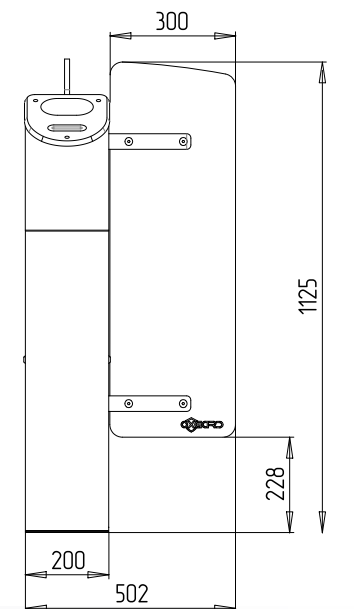
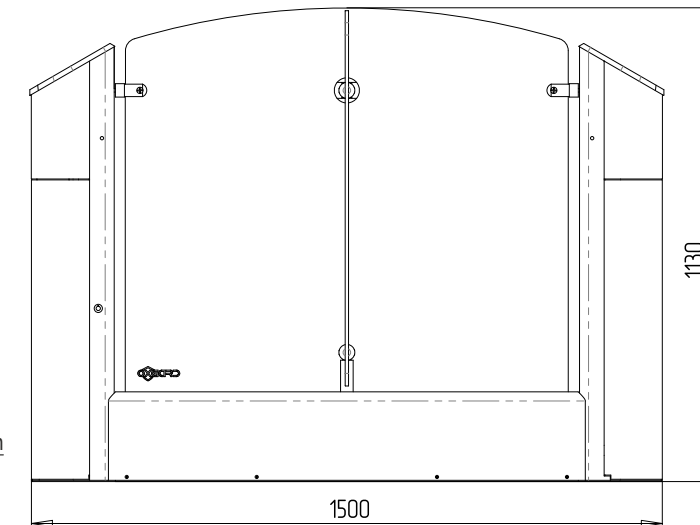
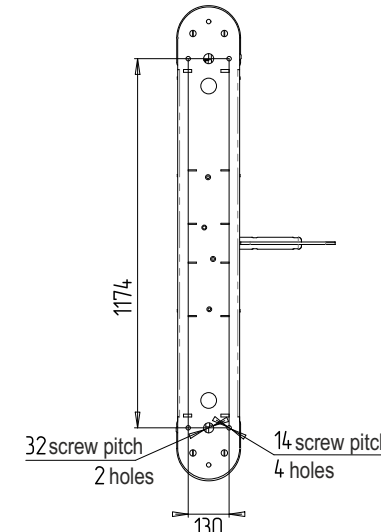
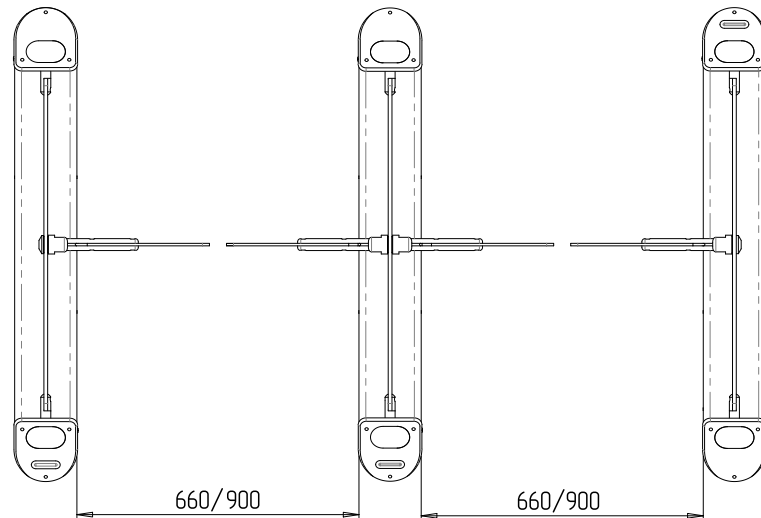
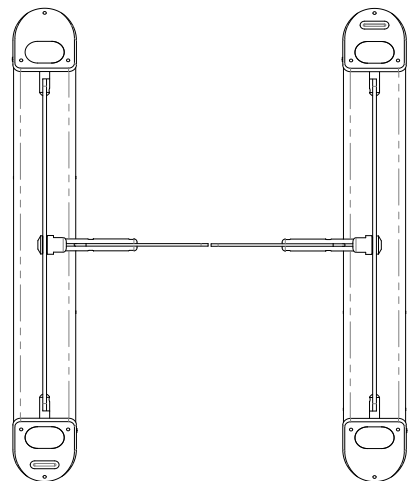
### Version



T-04-SM-900



T-04-SMTK-660



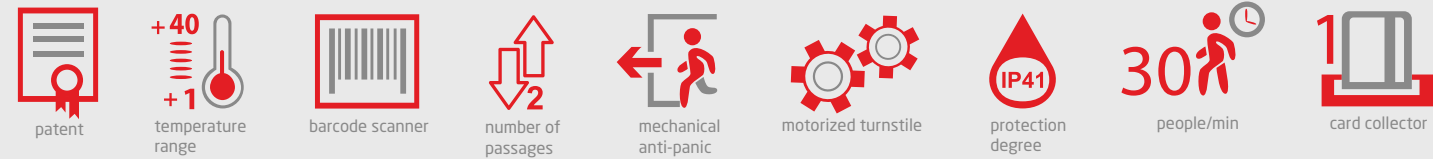
# Praktika T-05

## turnstile



### Description

- motorized speed-gate with built-in electronic control
- housing from stainless steel
- lightweight design
- polished artificial stone lid
- passage indication
- glass included in the delivery set
- remote control included in the delivery set
- easy in mounting
- reliable fixation
- automatic anti-panic function
- mechanical unblocking of glass doors
- allows you to organize two-sided passage
- card collector for up to 500 cards (optionally)
- easy access to the mechanism
- safe use
- integration with any ACS via dry contacts
- dimensions allow you to install any additional equipment inside the housing



### Supply options

- built-in card collector
- control unit
- barcode scanner
- card readers
- swing gate
- barrier
- uninterruptible or standard power supply
- biometric scanner

### Characteristics

- power supply 12 V
- power consumption 60 W - side module
- power consumption 120 W -central module
- number of passage directions - 2
- one-at-a-time admission rate per/min - 30 people/min
- free pass admission rate per/min - 60 people/min
- operational temperature range: from +1°C up to +40°C;
- mean passes to failure - from 4 500 000 passages

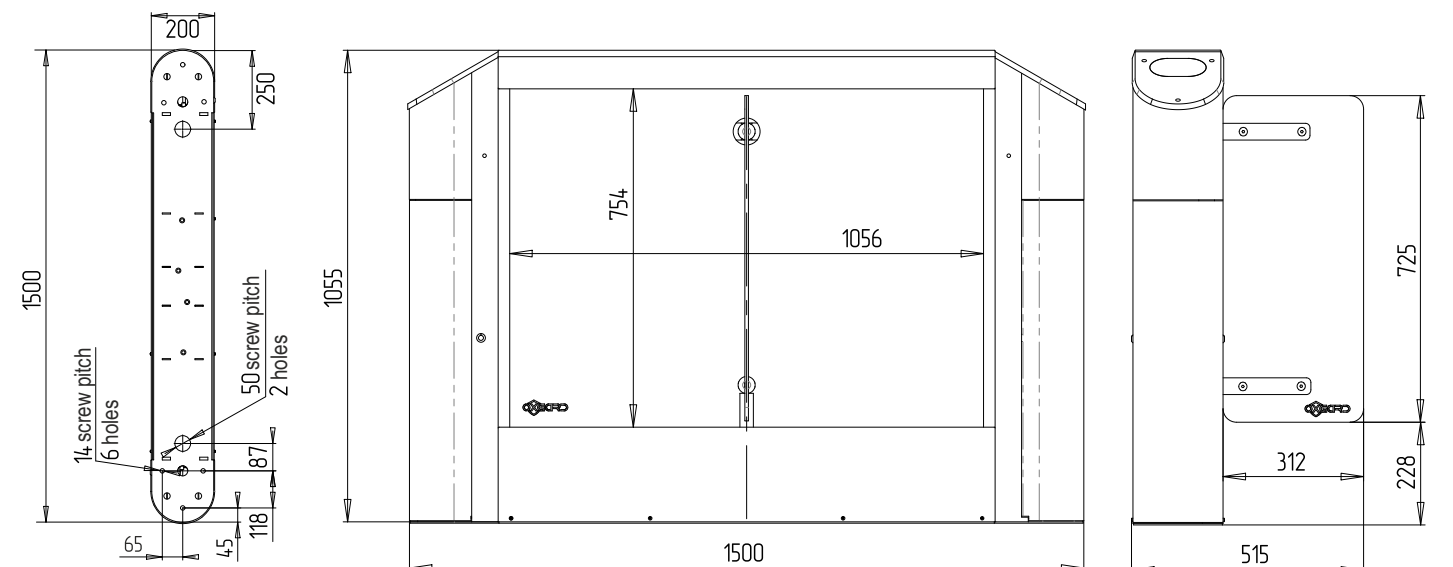
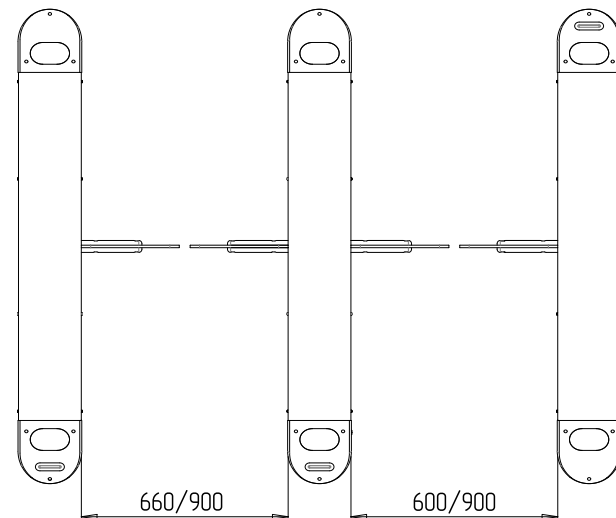
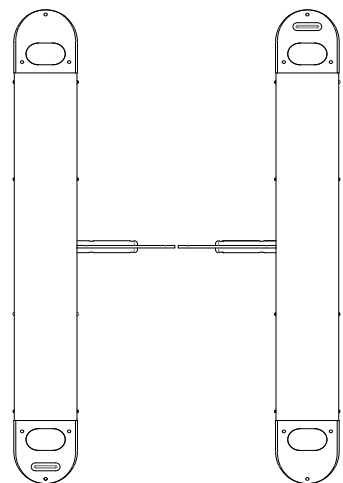
### Version



T-05-CM-660



T-05-GCM-660/900





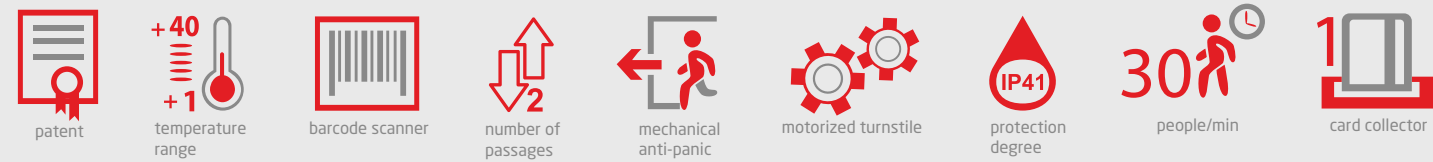
# Praktika T-06

## turnstile



### Description

- motorized speed-gate with built-in electronic control
- housing from stainless steel
- anti-tailgating
- infra red passage sensors
- normally opened or normally closed turnstile mode
- polished artificial stone lid
- passage indication
- glass included in the delivery set
- remote control included in the delivery set
- easy in mounting
- reliable fixation
- automatic anti-panic function
- mechanical unblocking of glass doors
- allows you to organize two-sided passage
- card collector for up to 500 cards (optionally)
- easy access to the mechanism
- safe use
- integration with the majority of existing ACS
- dimensions allow you to install any additional equipment inside the housing



### Supply options

- built-in card collector
- control unit
- barcode scanner
- card readers
- biometric scanner
- LCD display
- swing gate
- barrier
- uninterruptible or standard power supply

### Characteristics

- power supply 24 V
- power consumption 240 W - side module
- power consumption 480 W - central module
- 24 passage detectors
- number of passage directions - 2
- one-at-a-time admission rate per/min - 30 people/min
- free pass admission rate per/min - 60 people/min
- operational temperature range: from +1°C up to +40°C;
- mean passes to failure - from 4 500 000 passages

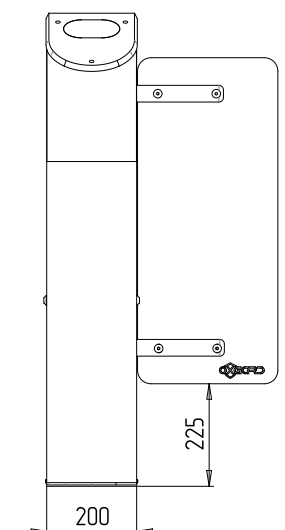
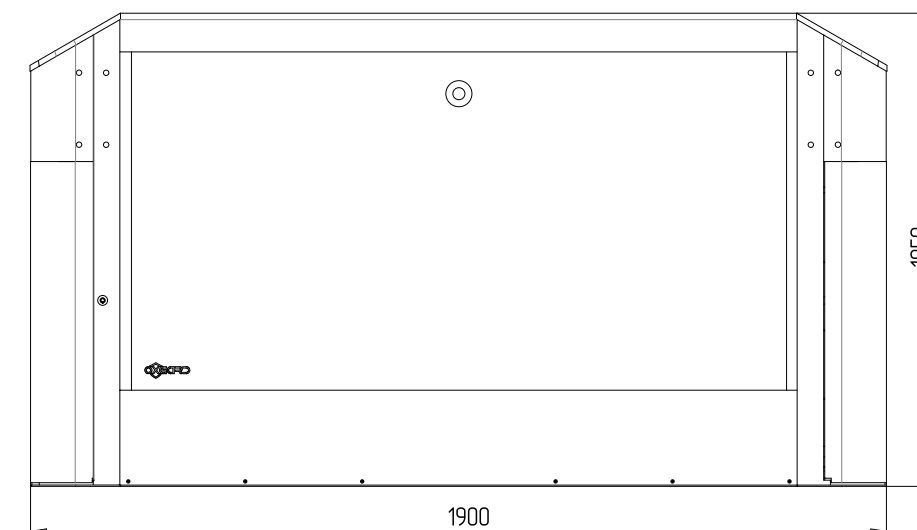
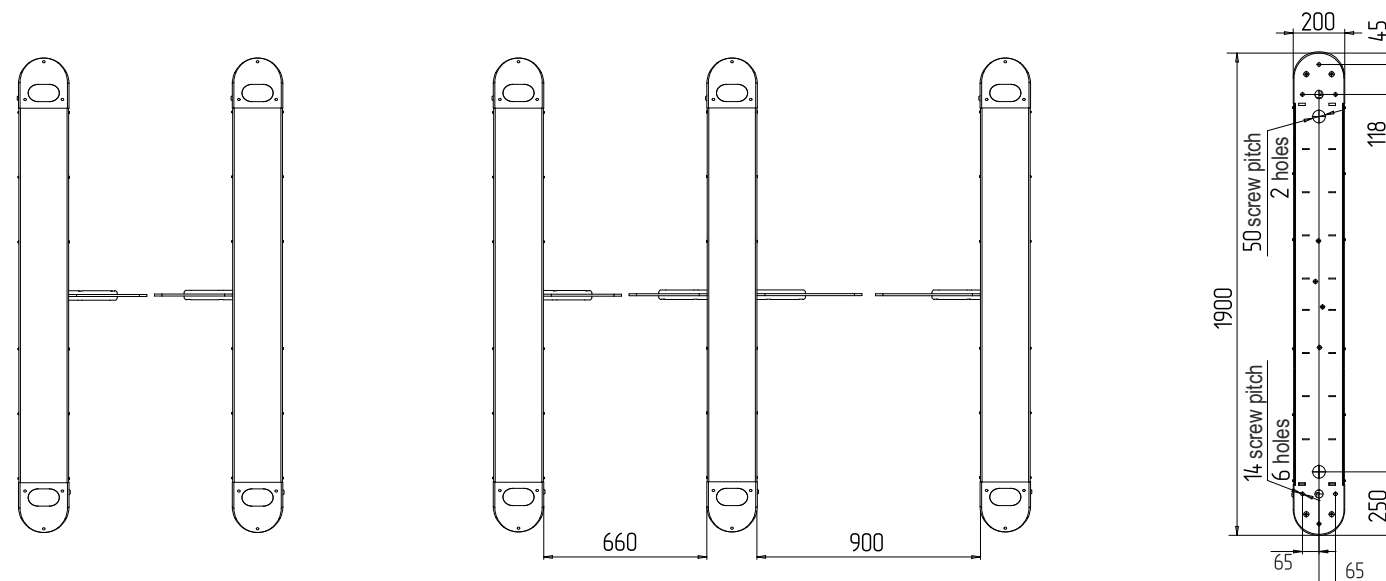
### Version



T-06-CM-900



T-06-SM-660



# Praktika T-07

## turnstile



### Description

- motorized speed-gate with built-in electronic control
- housing from stainless steel
- anti-tailgating
- infra red passage sensors
- normally opened or normally closed turnstile mode
- polished artificial stone lid
- passage indication
- glass included in the delivery set
- remote control included in the delivery set
- easy in mounting
- reliable fixation
- automatic anti-panic function
- mechanical unblocking of glass doors
- allows you to organize two-sided passage
- card collector for up to 500 cards (optionally)
- easy access to the mechanism
- safe use
- integration with the majority of existing ACS
- dimensions allow you to install any additional equipment inside the housing



### Supply options

- built-in card collector
- control unit
- barcode scanner
- card readers
- biometric scanner
- LCD display
- swing gate
- barrier
- uninterruptible or standard power supply

### Characteristics

- power supply 24 V
- power consumption 240 W - side module
- power consumption 480 W - central module
- 24 passage detectors
- number of passage directions - 2
- one-at-a-time admission rate per/min - 30 people/min
- free pass admission rate per/min - 60 people/min
- operational temperature range: from +1°C up to +40°C;
- mean passes to failure - from 4 500 000 passages

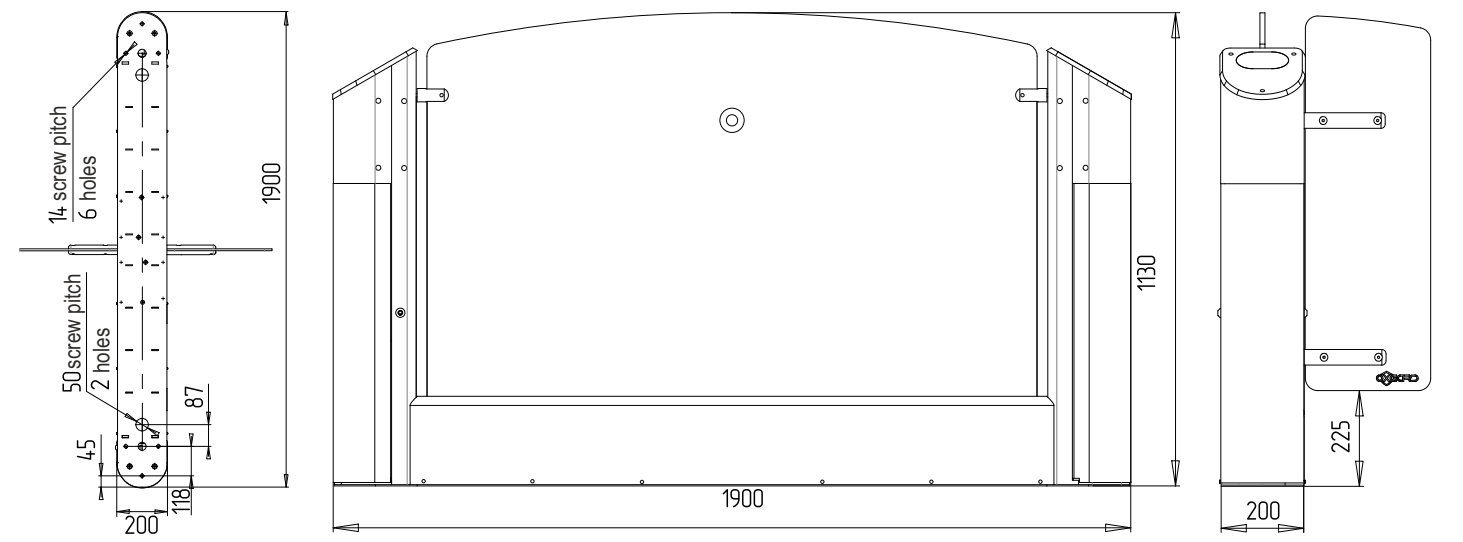
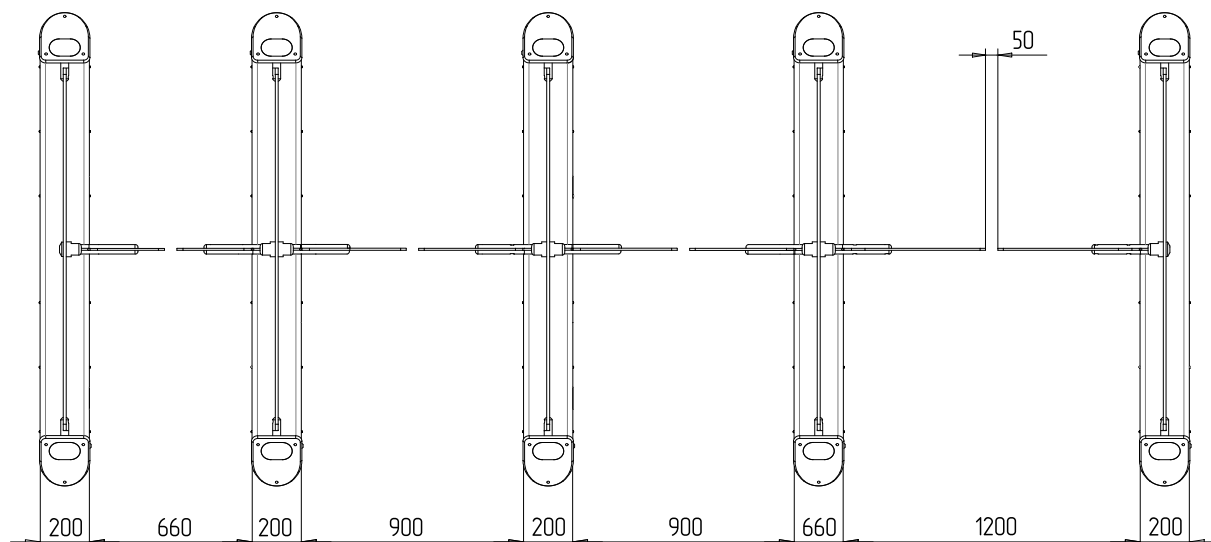
### Version



T-07-CM Ha 1200



T-07-SMT-660  
with high panels



# Praktika T-08

## turnstile



### Description

- motorized speed-gate with built-in electronic control
- housing from stainless steel
- anti-tailgating
- infra red passage sensors
- normally opened or normally closed turnstile mode
- polished artificial stone lid
- passage indication
- glass included in the delivery set
- remote control included in the delivery set
- easy in mounting
- reliable fixation
- automatic anti-panic function
- mechanical unblocking of glass doors
- allows you to organize two-sided passage
- card collector for up to 500 cards (optionally)
- easy access to the mechanism
- safe use
- integration with the majority of existing ACS
- dimensions allow you to install any additional equipment inside the housing



patent



temperature range



barcode scanner



number of passages



mechanical anti-panic



motorized turnstile



people/min



card collector

### Supply options

- built-in card collector
- control unit
- barcode scanner
- card readers
- swing gate
- barrier
- uninterruptible or standard power supply
- biometric scanner

### Characteristics

- power supply 12 V
- power consumption 60 W - side module
- power consumption 120 W - central module
- 24 passage detectors
- number of passage directions - 2
- one-at-a-time admission rate per/min - 30 people/min
- free pass admission rate per/min - 60 people/min
- operational temperature range: from +1°C up to +40°C;
- mean passes to failure - from 4 500 000 passages

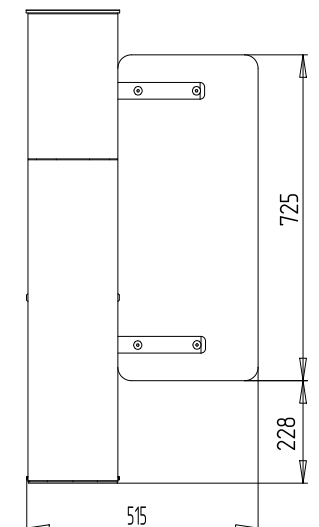
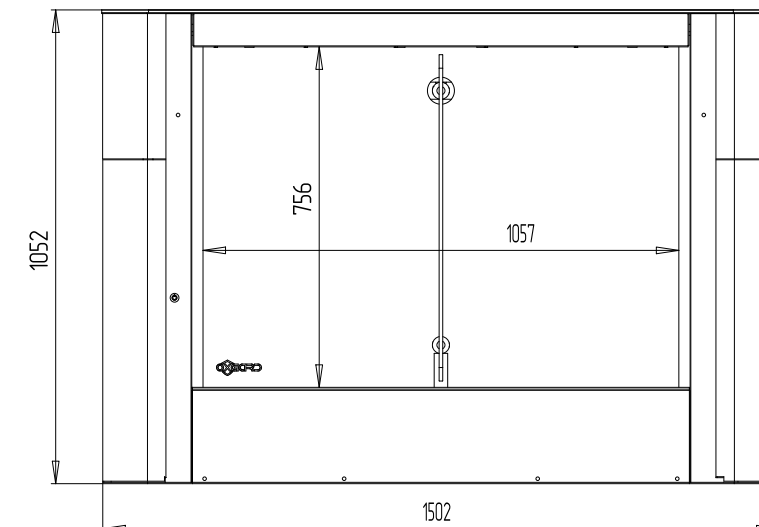
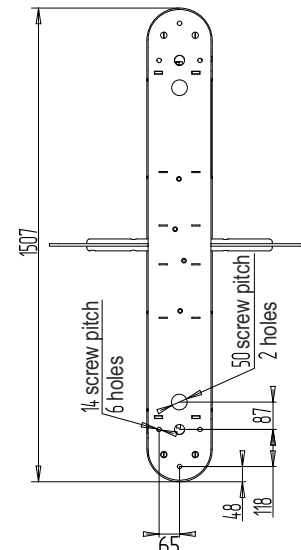
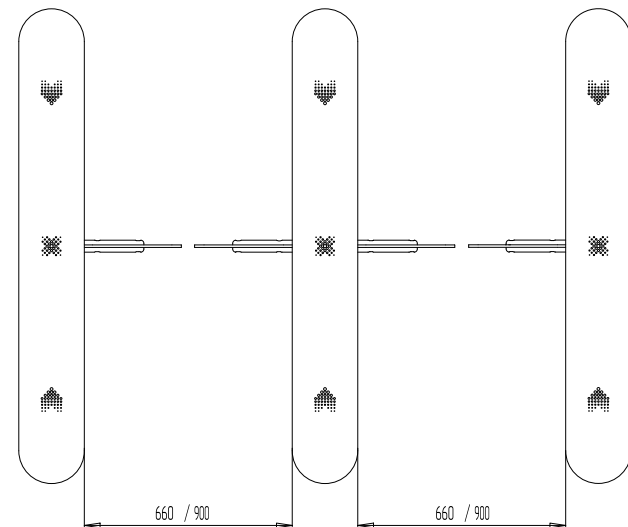
### Version



T-08-GCM-660\900



T-08-SM-900



# Quick line QL-04

## turnstile

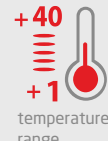


### Description

- motorized speed-gate with built-in electronic control
- housing from stainless steel
- tempered glass lid
- LED lighting
- passage indication
- glass included in the delivery set
- remote control included in the delivery set
- easy in mounting
- reliable fixation
- automatic anti-panic function
- mechanical unblocking of glass doors
- allows you to organize two-sided passage
- card collector for up to 50 cards (optionally)
- easy access to the mechanism
- safe use
- integration with any ACS via dry contacts



patent



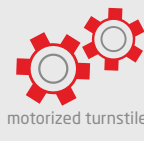
+40  
+1  
temperature range



number of passages



mechanical anti-panic



motorized turnstile



30  
people/min

### Supply options

- built-in card collector
- control unit
- barcode scanner
- card readers
- swing gate
- barrier
- uninterruptible or standard power supply
- glass colour at customer's option
- biometric scanner

### Characteristics

- power supply 12 V
- power consumption 240 W - central module
- power consumption 120 W - side module
- number of passage directions - 2
- one-at-a-time admission rate per/min - 30 people/min
- free pass admission rate per/min - 60 people/min
- operational temperature range: from +1°C up to +40°C;
- mean passes to failure - from 4 500 000 passages

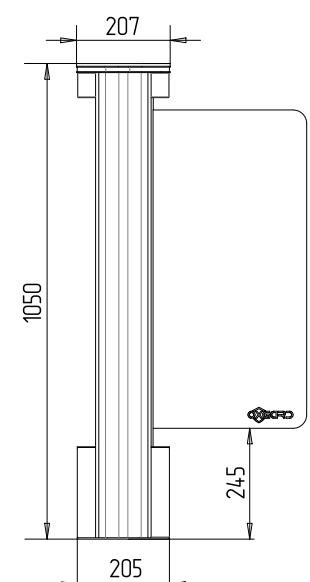
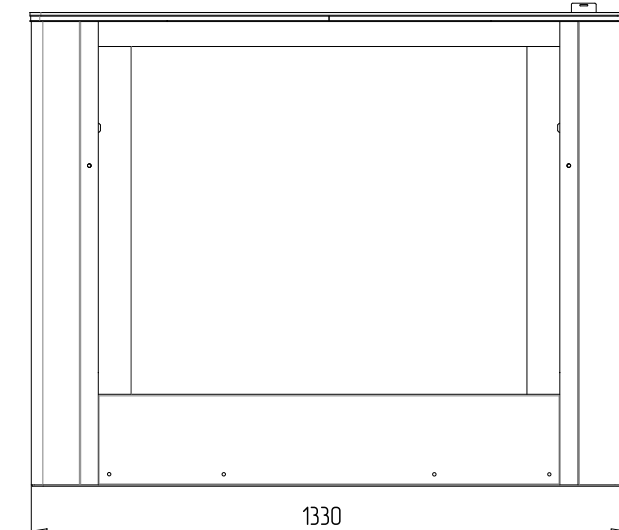
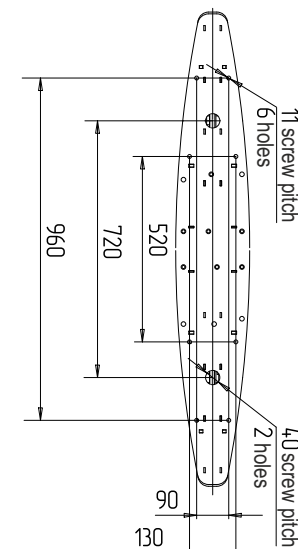
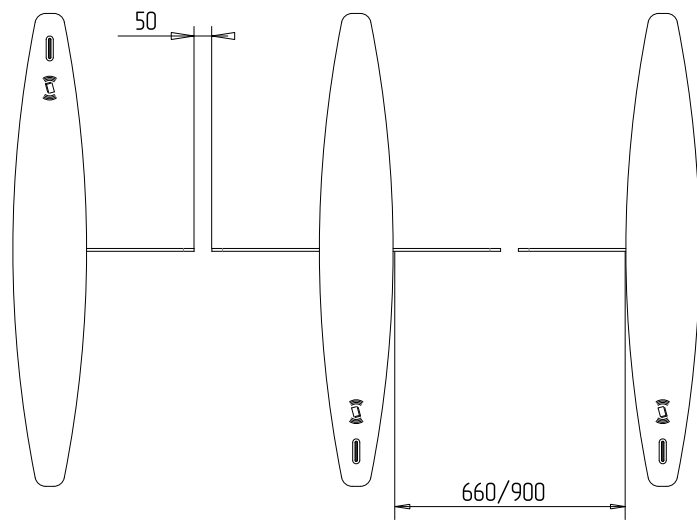
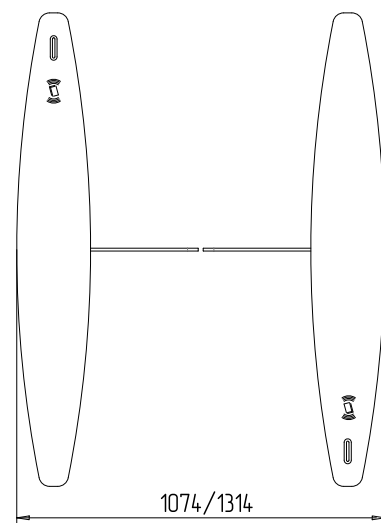
### Version



QL-04-SMK-660



QL-04-GCM-660\900





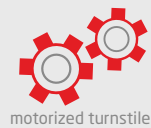
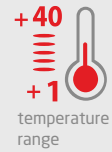
# Quick line QL-05

## turnstile



### Description

- motorized speed-gate with built-in electronic control
- housing from stainless steel
- LED lighting
- passage indication
- glass included in the delivery set
- remote control included in the delivery set
- easy in mounting
- reliable fixation
- automatic anti-panic function
- mechanical unblocking of glass doors
- allows you to organize two-sided passage
- card collector for up to 50 cards (optionally)
- easy access to the mechanism
- safe use
- integration with any ACS via dry contacts



### Supply options

- built-in card collector
- control unit
- barcode scanner
- card readers
- swing gate
- barrier
- uninterruptible or standard power supply
- glass colour at dimension at customer's option
- biometric scanner

### Characteristics

- power supply 12 V
- power consumption 120 W - side module
- power consumption 240 W - central module
- number of passage directions - 2
- one-at-a-time admission rate per/min - 30 people/min
- free pass admission rate per/min - 60 people/min
- operational temperature range: from +1°C up to +40°C;
- mean passes to failure - from 4 500 000 passages

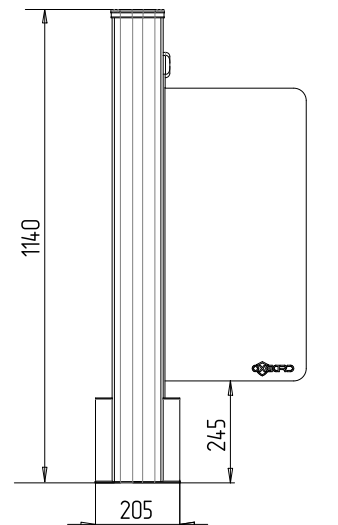
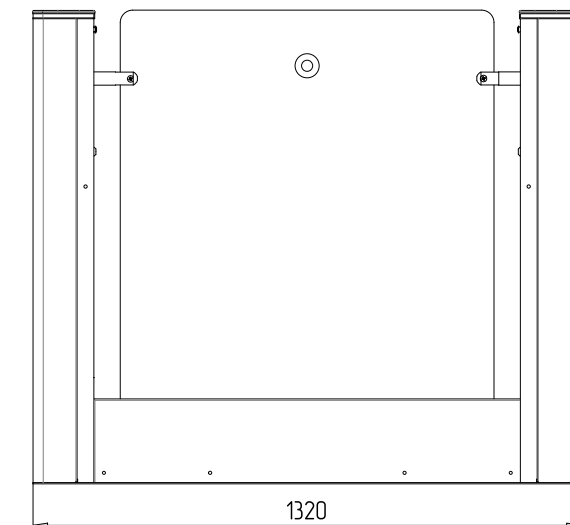
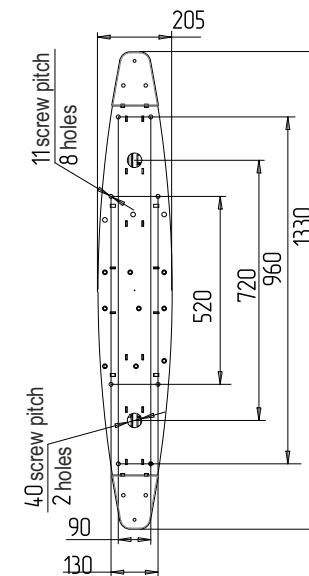
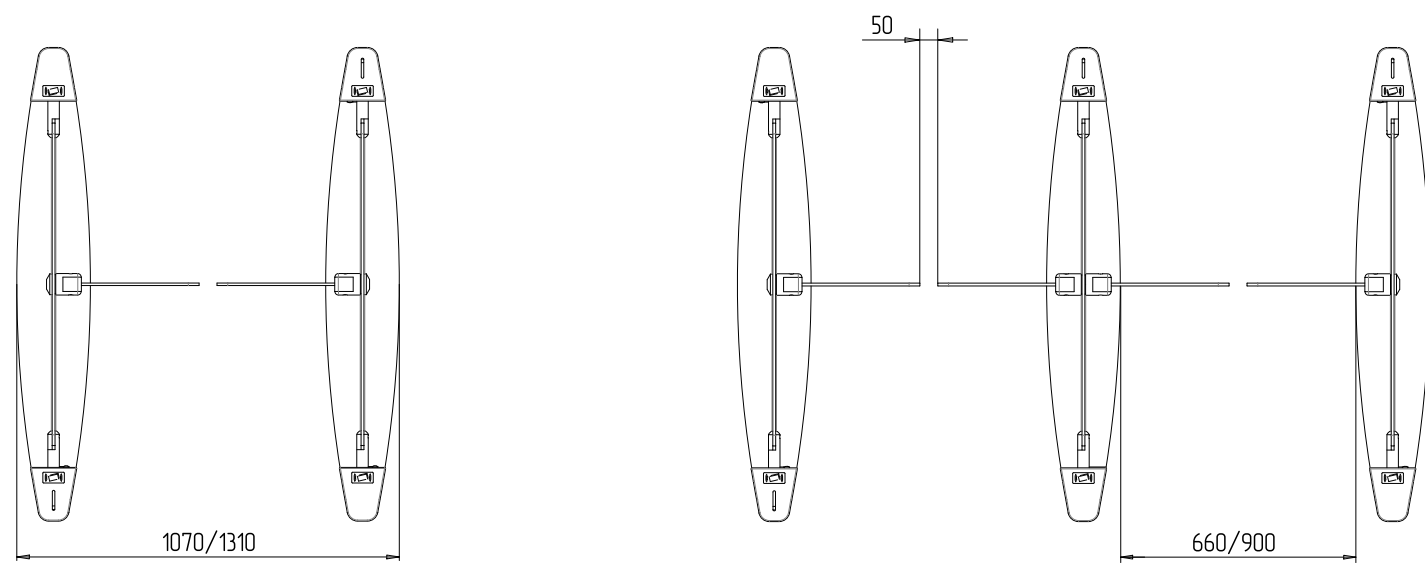
### Version



QL-05-SMK-660



QL-05-CMK-660

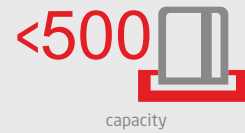
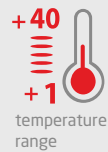


# Praktika K-01

cardcollector

## Description

- card collecting mechanism
- stainless steel housing
- polished artificial stone lid
- passage indication
- capacious card container
- easy in mounting
- concealed mounting to the floor
- hole for different card sizes
- easy extraction of cards
- high maintainability
- sound indication
- safe use
- integration with any ACS via dry contacts
- dimensions allow you to install any additional equipment inside the housing

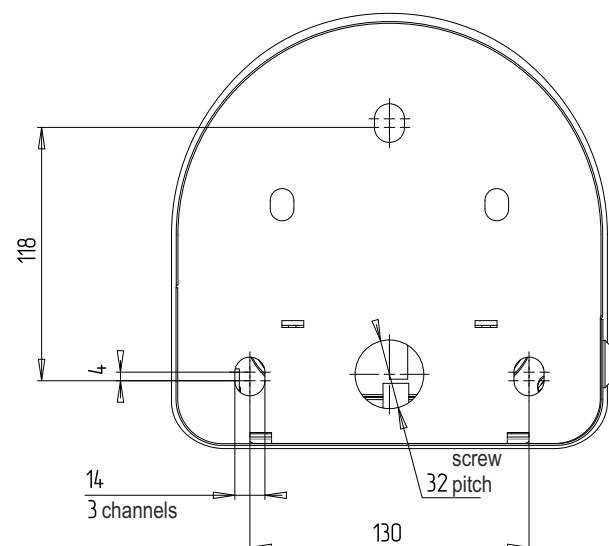
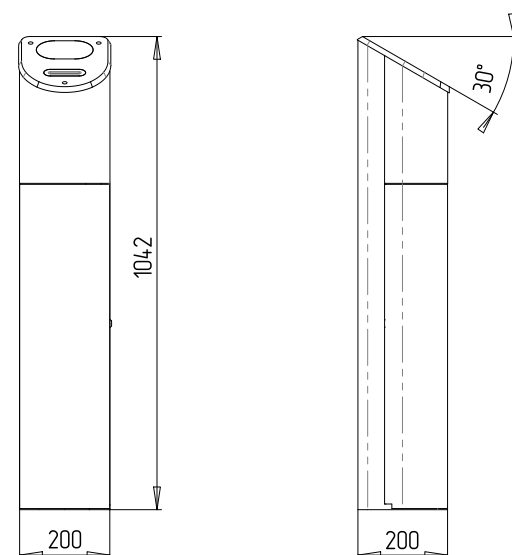


## Turnstile can be supplied with

- swing gate
- turnstile
- barrier

## Specification

- power supply 12 V
- power consumption 100 W
- number of cards collected - up to 500
- operational temperature range: from +1°C up to +40°C
- mean passes before failure - from 1 500 000 passages
- expected lifetime - 8 years



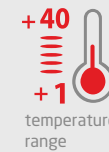
# Quick Line K-02

cardcollector



## Description

- card collecting mechanism
- stainless steel housing
- polished artificial stone lid
- passage indication
- capacious card container
- easy in mounting
- concealed mounting to the floor
- hole for different card sizes
- easy extraction of cards
- high maintainability
- sound indication
- safe use
- integration with any ACS via dry contacts
- dimensions allow you to install any additional equipment inside the housing

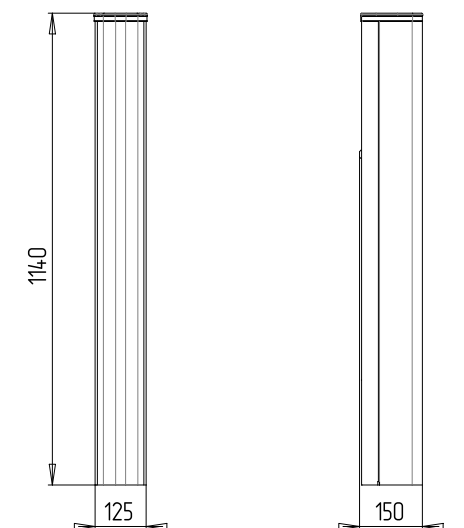
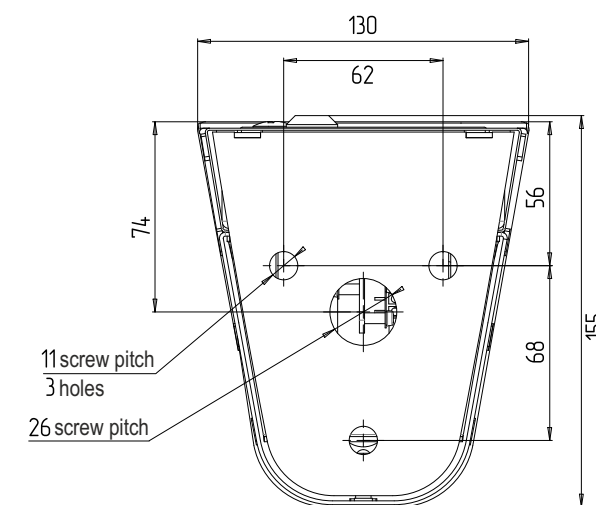


## Turnstile can be supplied with

- swing gate
- turnstile
- barrier

## Specification

- power supply 12 V
- power consumption 100 W
- number of cards collected - up to 150
- operational temperature range: from +1°C up to +40°C
- mean passes before failure - from 1 500 000 passages
- expected lifetime - 8 years



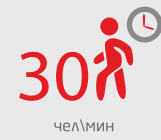
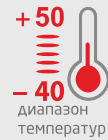
# Cube C-10

## full-height turnstile



### Description

- electromechanical turnstile with built-in electronic control
- housing from powder-coated steel
- remote control
- illumination of passage
- reliable fixation
- passage indication
- easy access to the mechanism
- free passage in case of power loss
- safe use
- integration with any ACS via dry contacts



### Supply options

- full-height swing gate
- full-height barrier
- control unit
- barcode scanner
- card readers
- uninterruptible power supply
- power supply module
- biometric scanner

### Characteristics

- power supply 12 V
- power consumption 60 W
- number of passage directions - 2
- one-at-a-time admission rate per/min - 30 people/min
- free pass admission rate per/min - 60 people/min
- protection degree IP 54
- operational temperature range: from -40°C up to +50°C
- formed passage width 642 mm

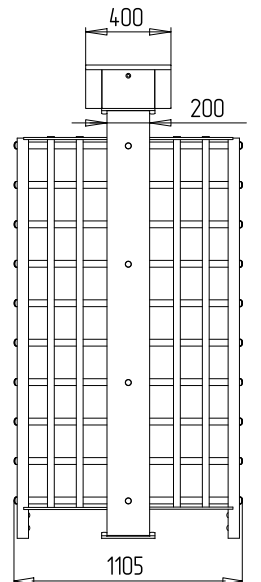
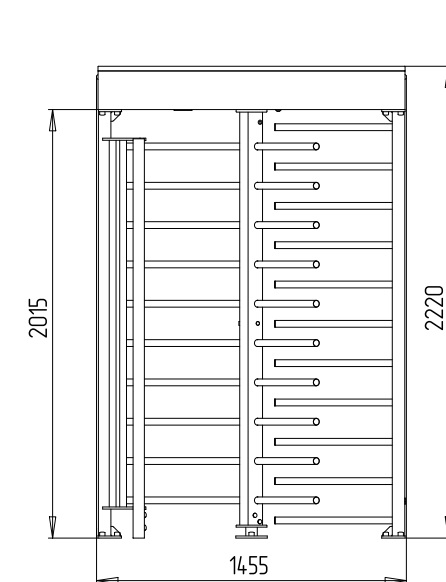
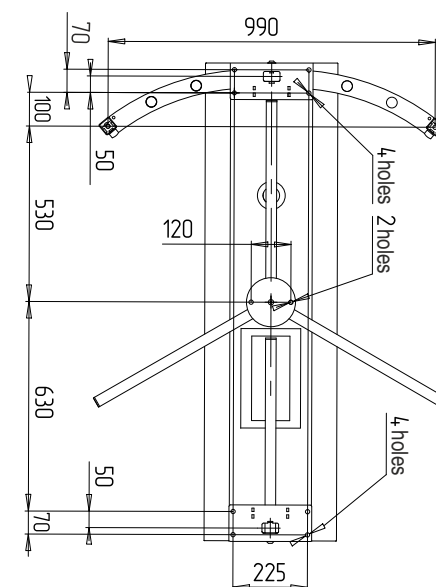
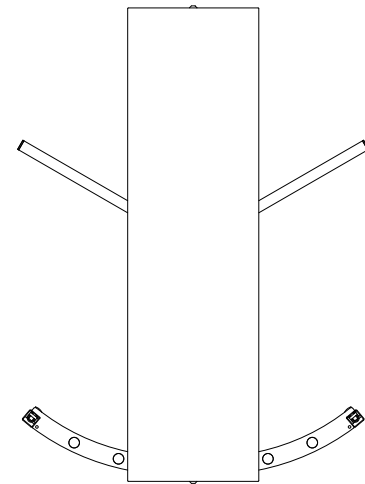
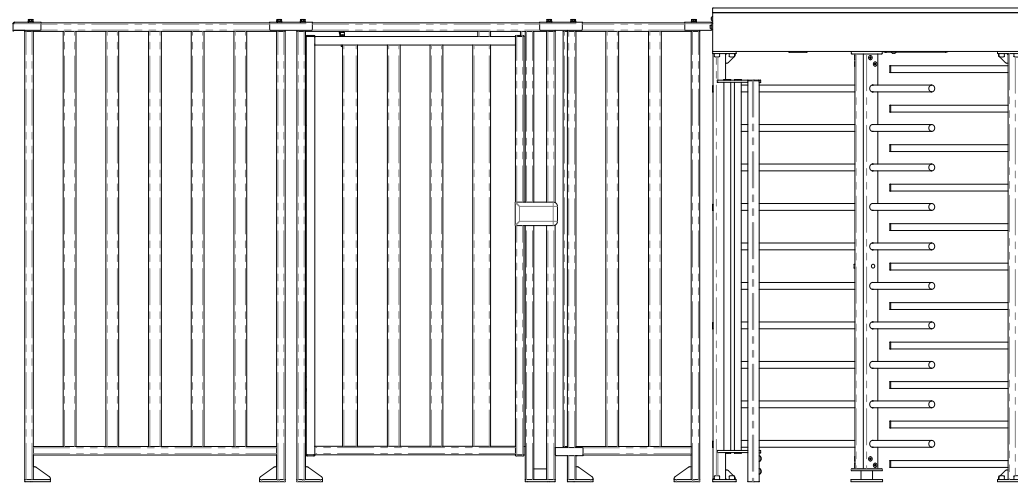
### Version



painted "Antique silver"



painted red



# Full height turnstiles Praktika

T-10, T-10-M, T-10-H, T-10-G, T-10-MH, T-10-GM

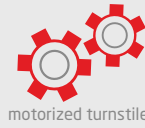


## Description

- turnstile with built-in electronic control
- remote control
- passage indication
- reliable fixation
- passage lighting
- easy access to the mechanism
- free passage in case of power loss
- safe use
- integration with any ACS via dry contacts



Praktika T-10 - painted steel  
Praktika T-10-H - stainless steel  
Praktika T-10-G - hybrid



Praktika T-10 - painted steel  
Praktika T-10-MH - stainless steel  
Praktika T-10-GM - hybrid



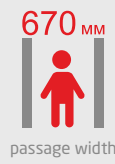
protection degree



number of passages



patent



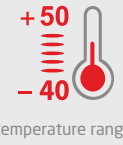
670 mm  
passage width



mechanical anti-panic



30  
people/min



+50  
-40  
temperature range

## Supply options

- full-height swing gate
- full-height barrier
- control unit
- barcode scanner
- card readers
- uninterruptible power supply
- biometric scanner

## Characteristics

- power supply 12 V
- power consumption 50 W
- number of passage directions - 2
- one-at-a-time admission rate per/min - 30 people/min
- free pass admission rate per/min - 60 people/min
- protection degree - IP 54
- operational temperature range: from -40°C up to +50°C;
- formed passage width 670 mm

## Version



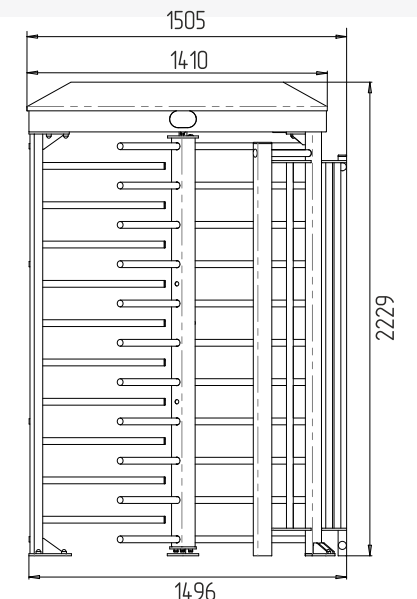
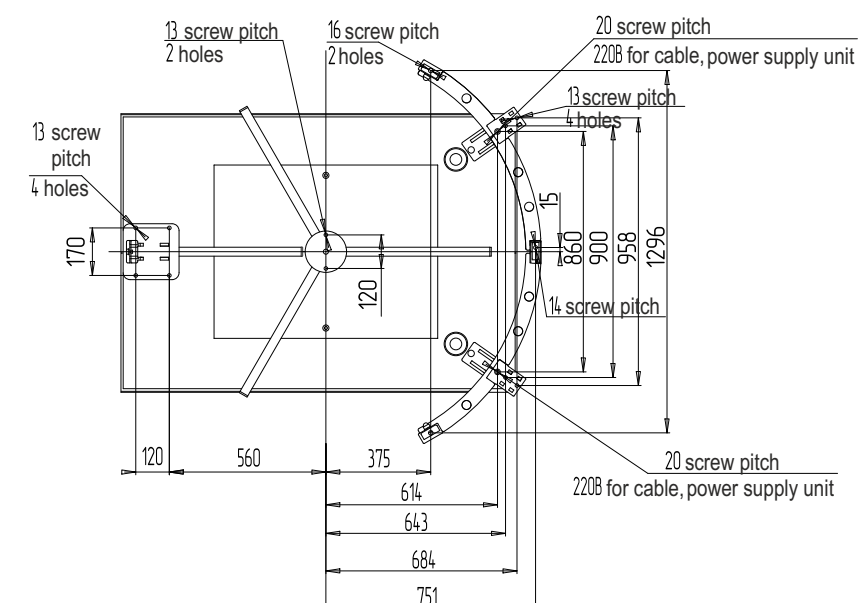
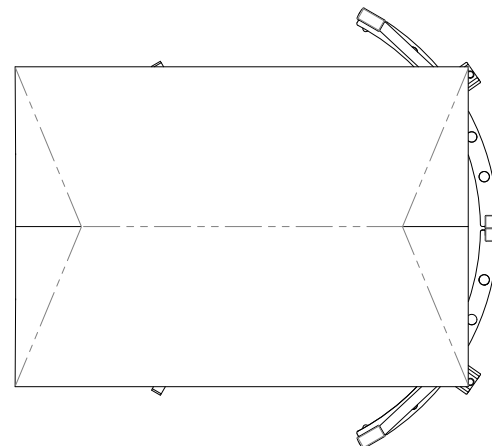
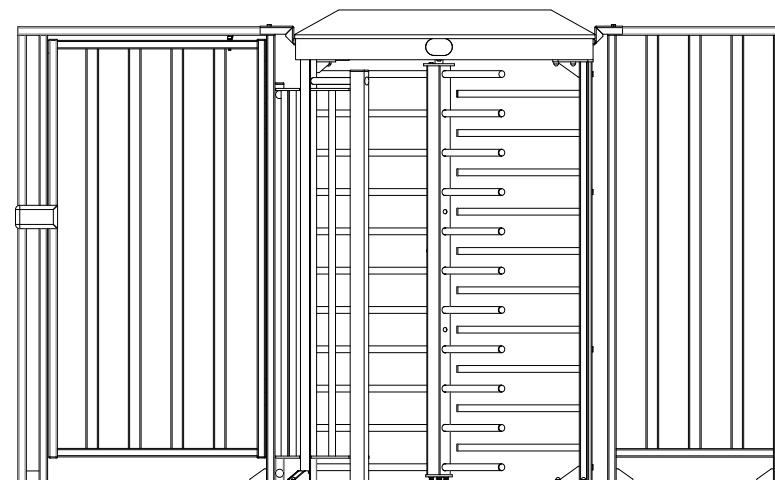
T-10-H



T-10



T-10-G





# Full height turnstiles Praktika Double Pass

T-10-DP, T-10-M-DP, T-10-H-DP, T-10-G-DP, T-10-MH-DP, T-10-GM-DP

## Description

- turnstile with built-in electronic control
- remote control
- passage indication
- reliable fixation
- passage lighting
- easy access to the mechanism
- free passage in case of power loss
- safe use
- integration with any ACS via dry contacts



electromechanics

Praktika T-10 Double Pass - painted steel  
Praktika T-10-H Double Pass - stainless steel  
Praktika T-10-G Double Pass - hybrid



motorized turnstile

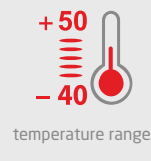
Praktika T-10 Double Pass - painted steel  
Praktika T-10-MH Double Pass - stainless steel  
Praktika T-10-GM Double Pass - hybrid



patent



mechanical anti-panic



temperature range



number of passages



protection degree



passage width



people/min

## Supply options

- full-height swing gate
- full-height barrier
- control unit
- barcode scanner
- card readers
- uninterruptible power supply
- biometric scanner

## Characteristics

- power supply 12 V
- power consumption 100 W
- number of passage directions - 4
- one-at-a-time admission rate per/min - 60 people/min
- free pass admission rate per/min - 120 people/min
- protection degree - IP 54
- operational temperature range: from -40°C up to +50°C;
- formed passage width 585 mm

## Version



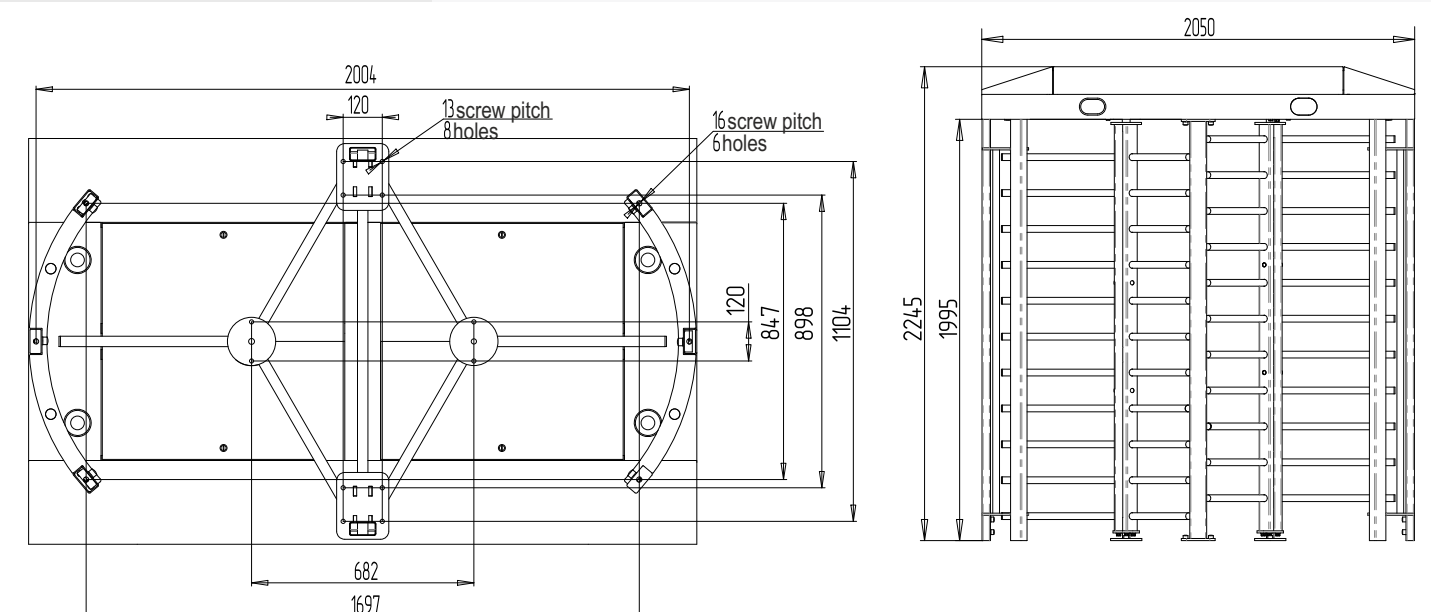
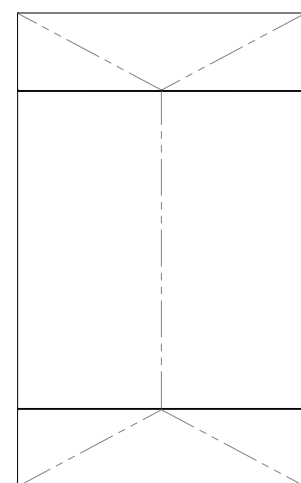
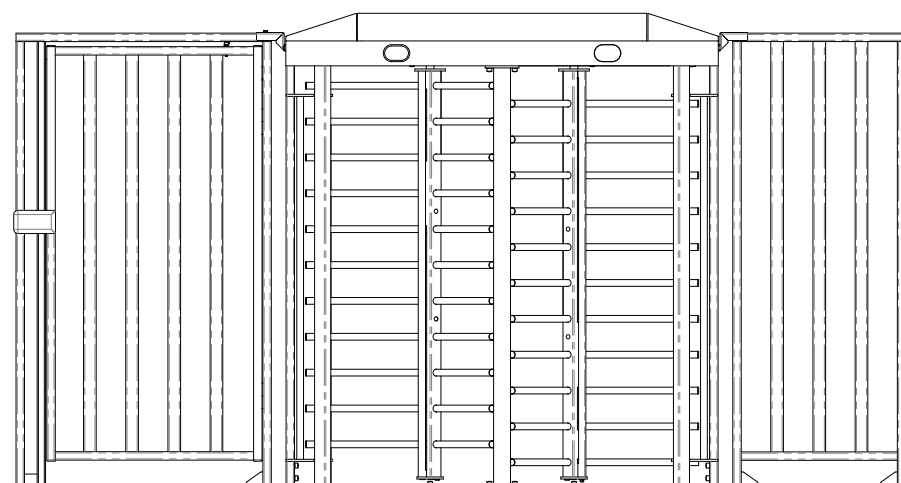
T-10-H Double Pass



T-10-G Double Pass



T-10 Double Pass



# Full height turnstiles Quick Line

QL-10, QL-10-M, QL-10-H, QL-10-G, QL-10-MH

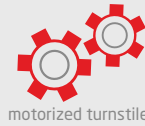


## Description

- turnstile with built-in electronic control
- housing from painted steel
- remote control
- passage indication
- reliable fixation
- passage lighting
- easy access to the mechanism
- free passage in case of power loss
- safe use
- integration with any ACS via dry contacts



Quick Line QL-10 - painted steel  
Quick Line QL-10-H - stainless steel  
Quick Line QL-10-G - hybrid



Quick Line QL-10M - painted steel  
Quick Line QL-10-MH - stainless steel  
Quick Line QL-10-GM - hybrid



protection degree



number of passages



patent



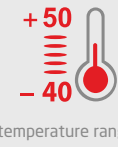
passage width



mechanical anti-panic



people/min



temperature range

## Supply options

- full-height swing gate
- full-height barrier
- control unit
- barcode scanner
- card readers
- uninterruptible power supply
- biometric scanner

## Characteristics

- power supply 12 V
- power consumption 100 W
- number of passage directions - 2
- one-at-a-time admission rate per/min - 30 people/min
- free pass admission rate per/min - 60 people/min
- protection degree - IP 54
- operational temperature range: from -40°C up to +50°C;

## Version



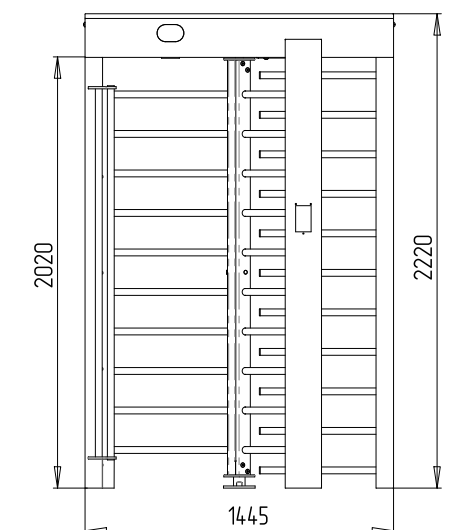
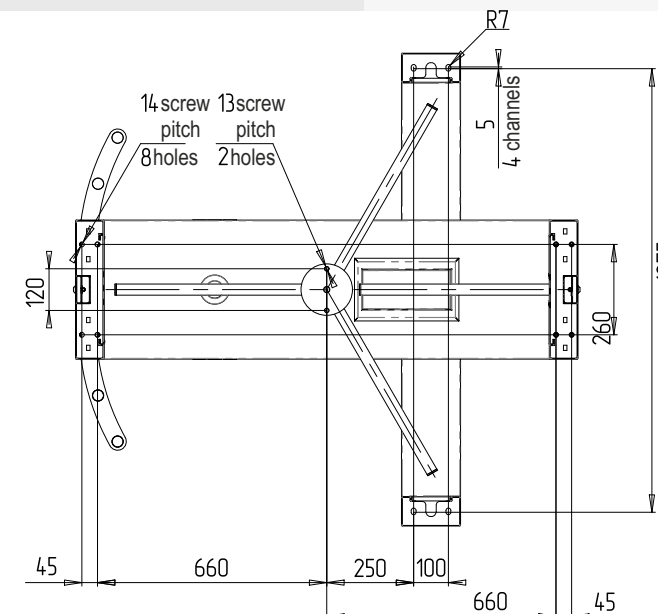
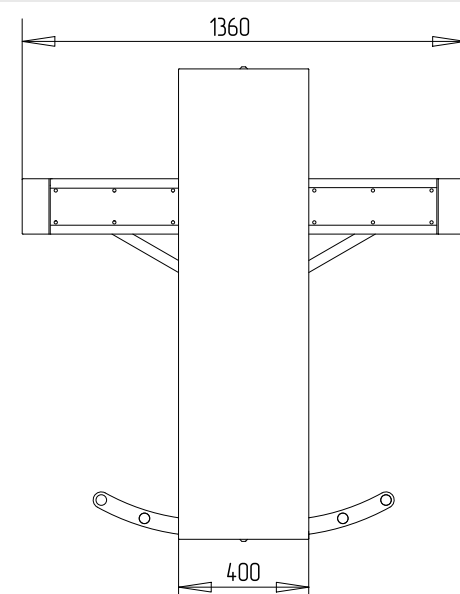
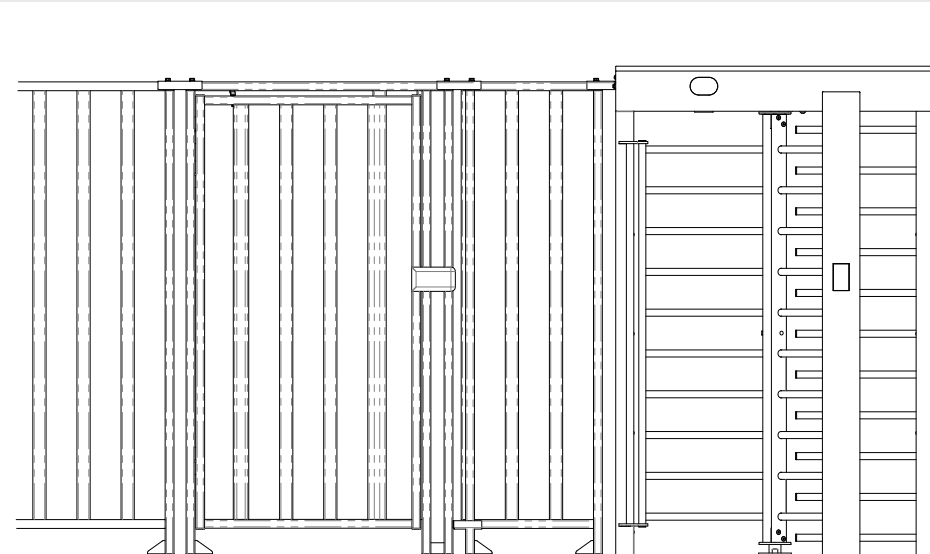
QL-10-H



QL-10

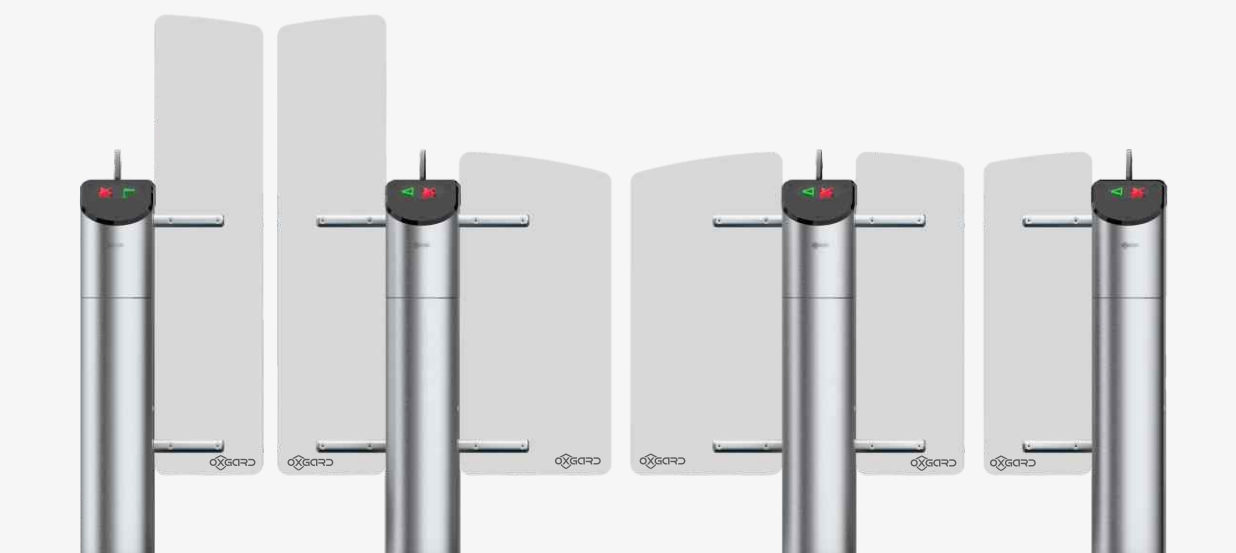


QL-10-G



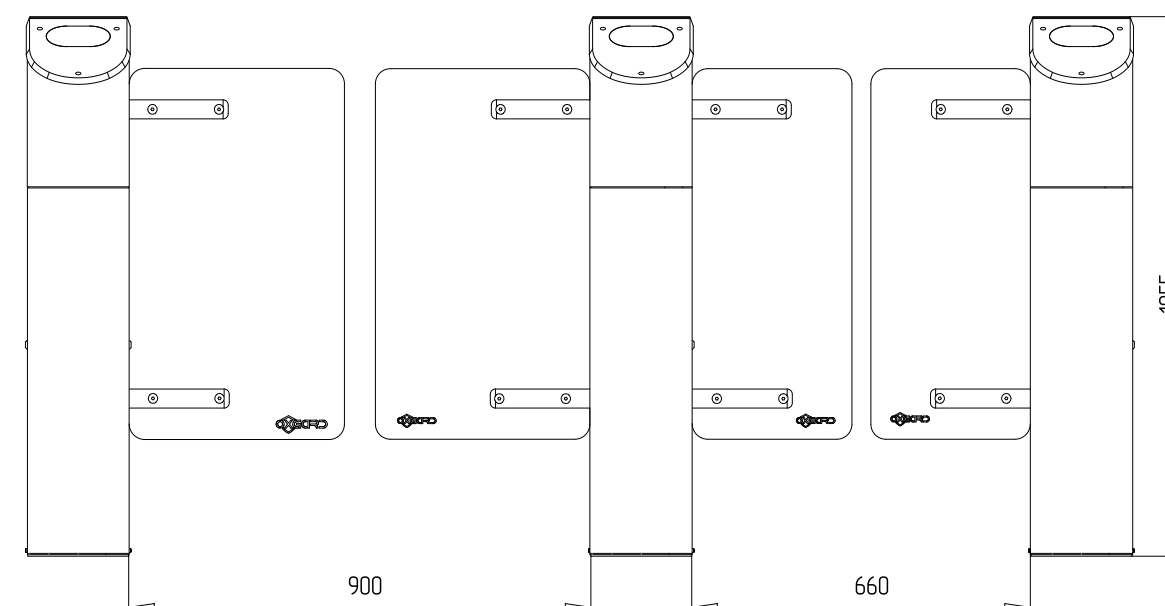
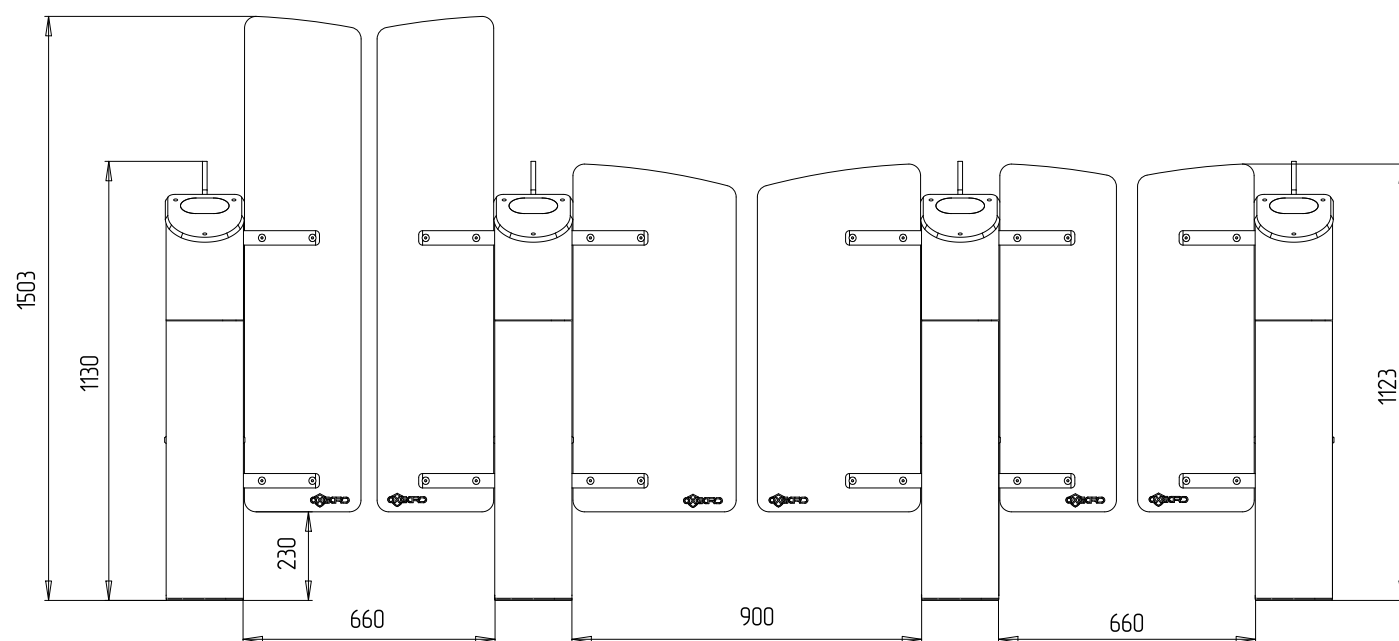
# Speed gate T-04

# Speed gate T-05



- Praktika T-04-SM-660 side module (passage lane 660 mm)
- Praktika T-04-SM-900 side module (passage lane 900 mm)
- Praktika T-04-SMK-660 side module with card collector (passage lane 660 mm)
- Praktika T-04-SMK-900 side module with card collector (passage lane 900 mm)
- Praktika T-04-SMT-660 side module with high glass doors (passage lane 660 mm)
- Praktika T-04-SMTK-660 side module with high glass doors and card collector (passage lane 660 mm)
- Praktika T-04-SMT-900 side module with high glass doors (passage lane 900 mm)
- Praktika T-04-SMTK-900 side module with high glass doors and card collector (passage lane 900 mm)
- Praktika T-04-CM-660 central module (passage lane 660 mm)
- Praktika T-04-CM-900 central module (passage lane 900 mm)
- Praktika T-04-CMK-660 central module with card collector (passage lane 660 mm)
- Praktika T-04-CMK-900 central module with card collector (passage lane 900 mm)
- Praktika T-04-CMT-660 central module with high glass doors (passage lane 660 mm)
- Praktika T-04-CMTK-660 central module with high glass doors and card collector (passage lane 660 mm)
- Praktika T-04-CMT-900 central module with high glass doors (passage lane 900 mm)
- Praktika T-04-CMTK-900 central module with high glass doors and card collector (passage lane 900 mm)
- Praktika T-04-GCM -660/900 hybrid central module (passage lane 660/900 mm)
- Praktika T-04-GCMK-660/900 hybrid central module with card collector (passage lane 660/900 mm)

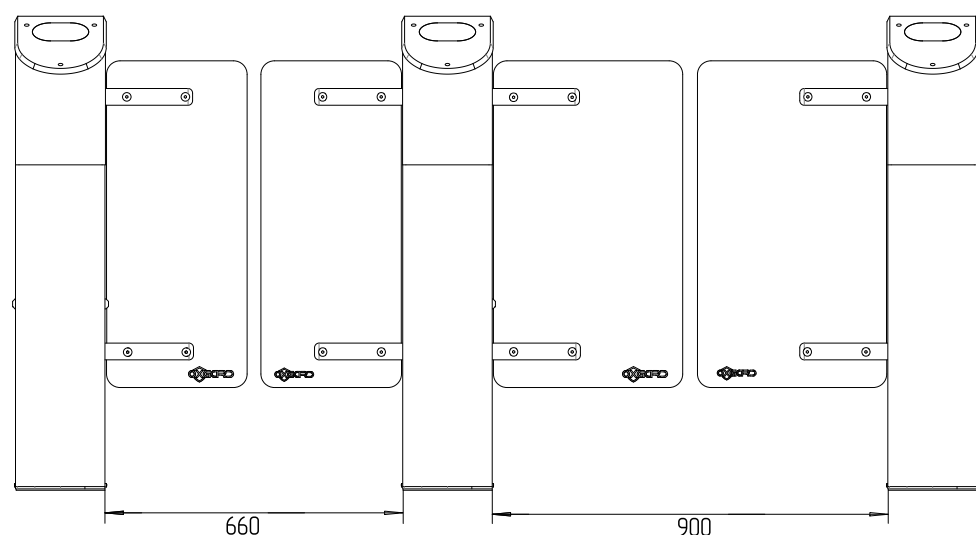
- Praktika T-05-SM-660 side module (passage lane 660 mm)
- Praktika T-05-SM-900 side module (passage lane 900 mm)
- Praktika T-05-SMK-660 side module with card collector (passage lane 660 mm)
- Praktika T-05-SMK-900 side module with card collector (passage lane 900 mm)
- Praktika T-05-CM-660 central module (passage lane 660 mm)
- Praktika T-05-CM-900 central module (passage lane 900 mm)
- Praktika T-05-CMK-660 central module with card collector (passage lane 660 mm)
- Praktika T-05-CMK-900 central module with card collector (passage lane 900 mm)
- Praktika T-05-GCM -660/900 hybrid central module (passage lane 660/900 mm)
- Praktika T-05-GCMK-660/900 hybrid central module with card collector (passage lane 660/900 mm)



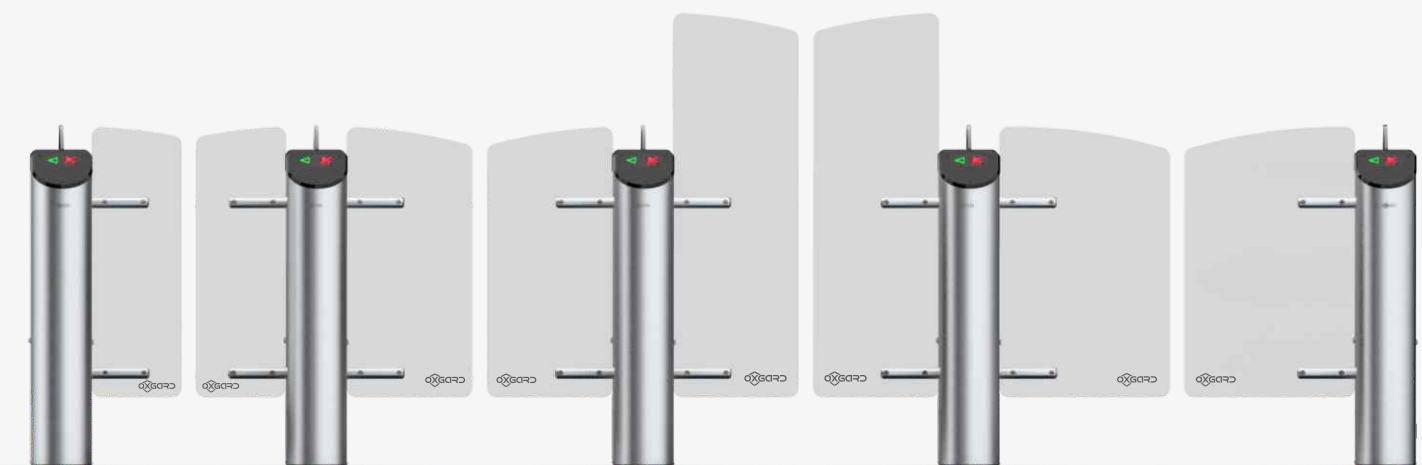
# Speed gate T-06



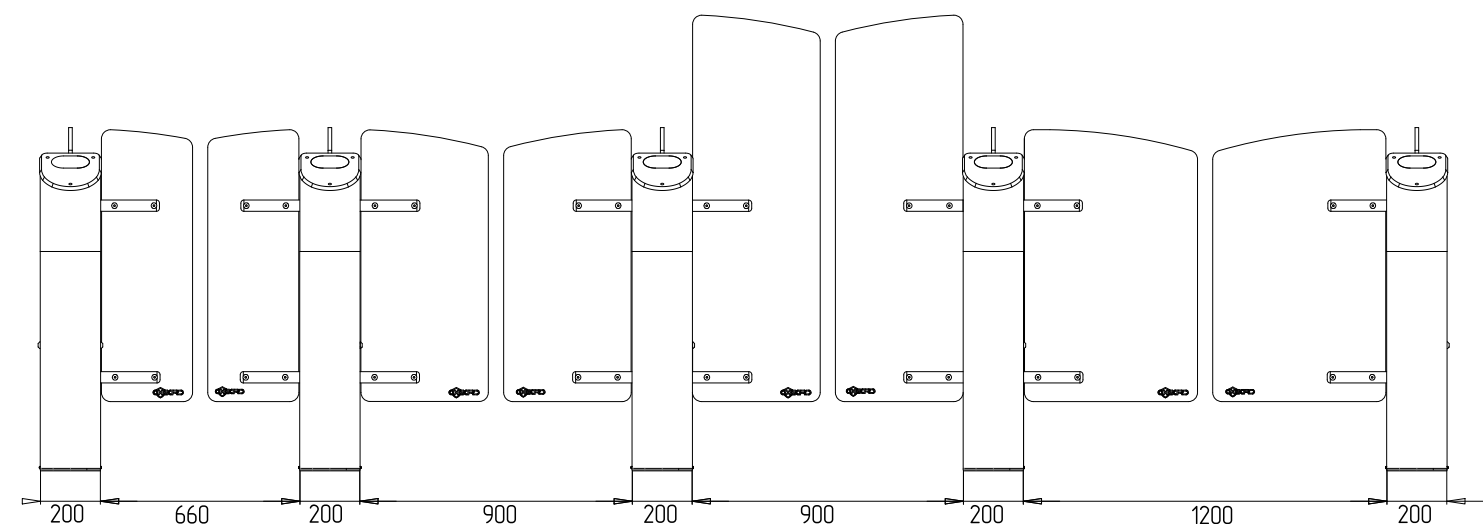
- Praktika T-06-SM-660 side module (passage lane 660 mm)
- Praktika T-06-SM-900 side module (passage lane 900 mm)
- Praktika T-06-SM-1200 side module (passage lane 1200 mm)
- Praktika T-06-SMK-660 side module with card collector (passage lane 660 mm)
- Praktika T-06-SMK-900 side module with card collector (passage lane 900 mm)
- Praktika T-06-SMK-1200 side module with card collector (passage lane 1200 mm)
- Praktika T-06-CM-660 central module (passage lane 660 mm)
- Praktika T-06-CM-900 central module (passage lane 900 mm)
- Praktika T-06-CM-1200 central module (passage lane 1200 mm)
- Praktika T-06-CMK-900 central module with card collector (passage lane 900 mm)
- Praktika T-06-CMK-660 central module with card collector (passage lane 660 mm)
- Praktika T-06-CMK-1200 central module with card collector (passage lane 1200 mm)
- Praktika T-06-GCM-660/900 hybrid central module (passage lane 660/900 mm)
- Praktika T-06-GCM-900/1200 hybrid central module (passage lane 900/1200 mm)
- Praktika T-06-GCMK-660/900 hybrid central module with card collector (passage lane 660/900 mm)
- Praktika T-06-GCMK-900/1200 hybrid central module with card collector (passage lane 900/1200 mm)



# Speed gate T-07



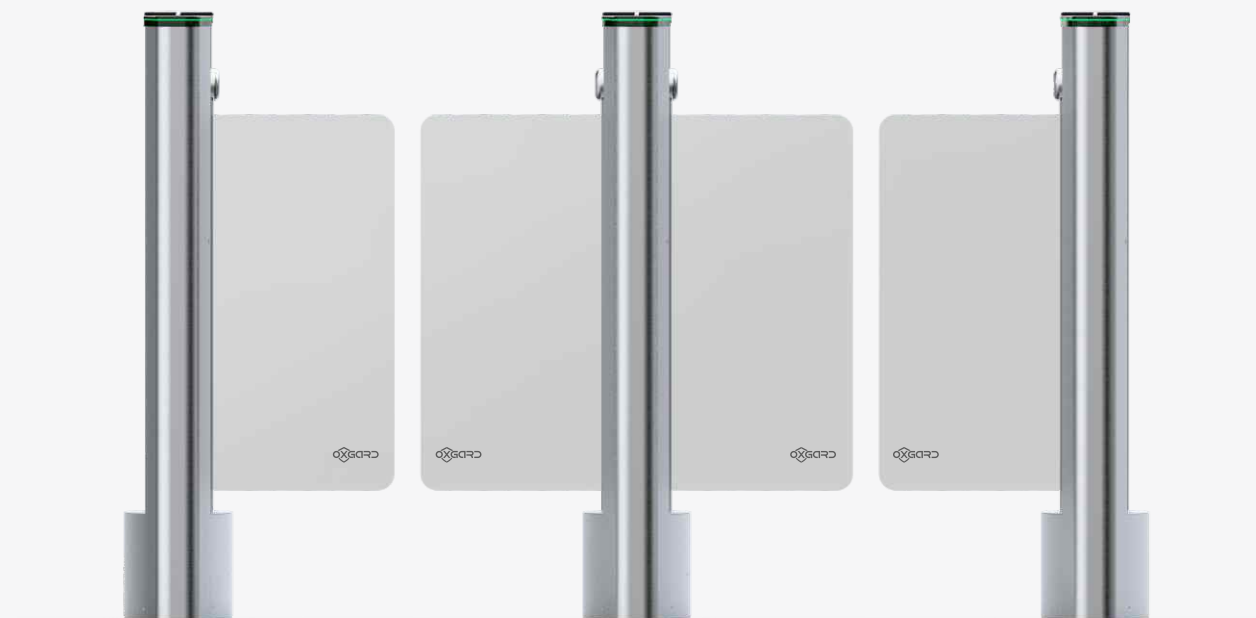
- Praktika T-07-SM-660 side module (passage lane 660 mm)
- Praktika T-07-SM-900 side module (passage lane 900 mm)
- Praktika T-07-SM-1200 side module (passage lane 1200 mm)
- Praktika T-07-SMK-660 side module with card collector (passage lane 660 mm)
- Praktika T-07-SMK-900 side module with card collector (passage lane 900 mm)
- Praktika T-07-SMK-1200 side module with card collector (passage lane 1200 mm)
- Praktika T-07-SMT-660 side module with high glass doors (passage lane 660 mm)
- Praktika T-07-SMT-900 side module with high glass doors (passage lane 900 mm)
- Praktika T-07-SMTK-660 side module with high glass doors and card collector (passage lane 660 mm)
- Praktika T-07-SMTK-900 side module with high glass doors and card collector (passage lane 900 mm)
- Praktika T-07-CM-660 central module (passage lane 660 mm)
- Praktika T-07-CM-900 central module (passage lane 900 mm)
- Praktika T-07-CM-1200 central module (passage lane 1200 mm)
- Praktika T-07-CMK-660 central module with card collector (passage lane 660 mm)
- Praktika T-07-CMK-900 central module with card collector (passage lane 900 mm)
- Praktika T-07-CMK-1200 central module with card collector (passage lane 1200 mm)
- Praktika T-07-CMT-660 central module with high glass doors (passage lane 660 mm)
- Praktika T-07-CMT-900 central module with high glass doors (passage lane 900 mm)
- Praktika T-07-CMTK-660 central module with high glass doors and card collector (passage lane 660 mm)
- Praktika T-07-CMTK-900 central module with high glass doors and card collector (passage lane 900 mm)
- Praktika T-07-GCM -660/900 hybrid central module (passage lane 660/900 mm)
- Praktika T-07-GCM-900/1200 hybrid central module (passage lane 900/1200 mm)
- Praktika T-07-GCMK-660/900 hybrid central module with card collector (passage lane 660/900 mm)
- Praktika T-07-GCMK-900/1200 hybrid central module with card collector (passage lane 900/1200 mm)





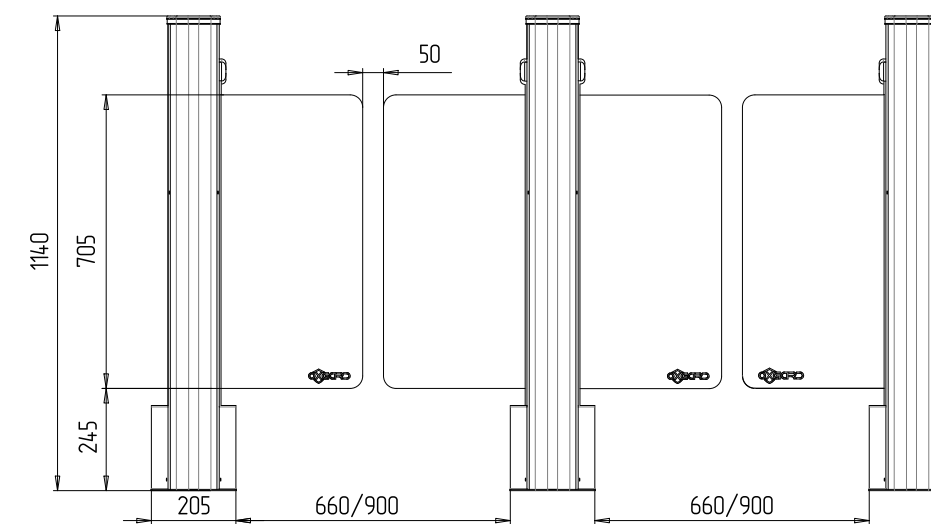
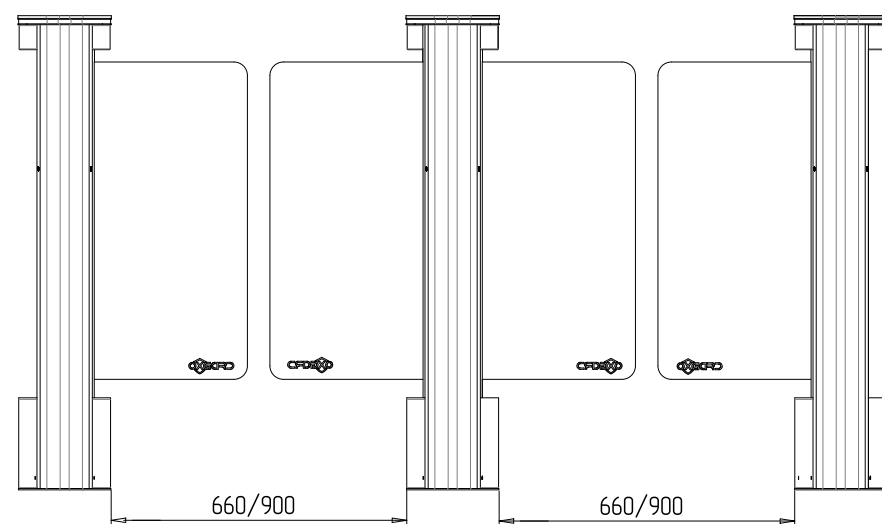
# Speed gate QL-04

# Speed gate QL-05



- QL-04-SM-660 side module (passage lane 660 mm)
- QL-04-SM-900 side module (passage lane 900 mm)
- QL-04-SMK-660 side module with card collector (passage lane 660 mm)
- QL-04-SMK-900 side module with card collector (passage lane 900 mm)
- QL-04-CM-660 central module (passage lane 660 mm)
- QL-04-CM-900 central module (passage lane 900 mm)
- QL-04-06-CMK-900 central module with card collector (passage lane 900 mm)
- QL-04-06-CMK-660 central module with card collector (passage lane 660 mm)
- QL-04-06-GCM-660/900 hybrid central module (passage lane 660/900 mm)
- QL-04-GCMK-660/900 hybrid central module with card collector (passage lane 660/900 mm)

- QL-05-SM-660 side module (passage lane 660 mm)
- QL-05-SM-900 side module (passage lane 900 mm)
- QL-05-SMK-660 side module with card collector (passage lane 660 mm)
- QL-05-SMK-900 side module with card collector (passage lane 900 mm)
- QL-05-SMT-660 side module with high glass doors (passage lane 660 mm)
- QL-05-SMT-900 side module with high glass doors (passage lane 900 mm)
- QL-05-SMTK-660 side module with high glass doors and card collector (passage lane 660 mm)
- QL-05-SMTK-900 side module with high glass doors and card collector (passage lane 900 mm)
- QL-05-CM-660 central module (passage lane 660 mm)
- QL-05-CM-900 central module (passage lane 900 mm)
- QL-05-CMK-900 central module with card collector (passage lane 900 mm)
- QL-05-CMK-660 central module with card collector (passage lane 660 mm)
- QL-05-CMT-660 central module with high glass doors (passage lane 660 mm)
- QL-05-CMT-900 central module with high glass doors (passage lane 900 mm)
- QL-05-CMTK-660 central module with high glass doors and card collector (passage lane 660 mm)
- QL-05-CMTK-900 central module with high glass doors and card collector (passage lane 900 mm)
- QL-05-GCM-660/900 hybrid central module (passage lane 660/900 mm)
- QL-05-GCMK-660/900 hybrid central module with card collector (passage lane 660/900 mm)



# K-14

## motorized swing gate

### Description

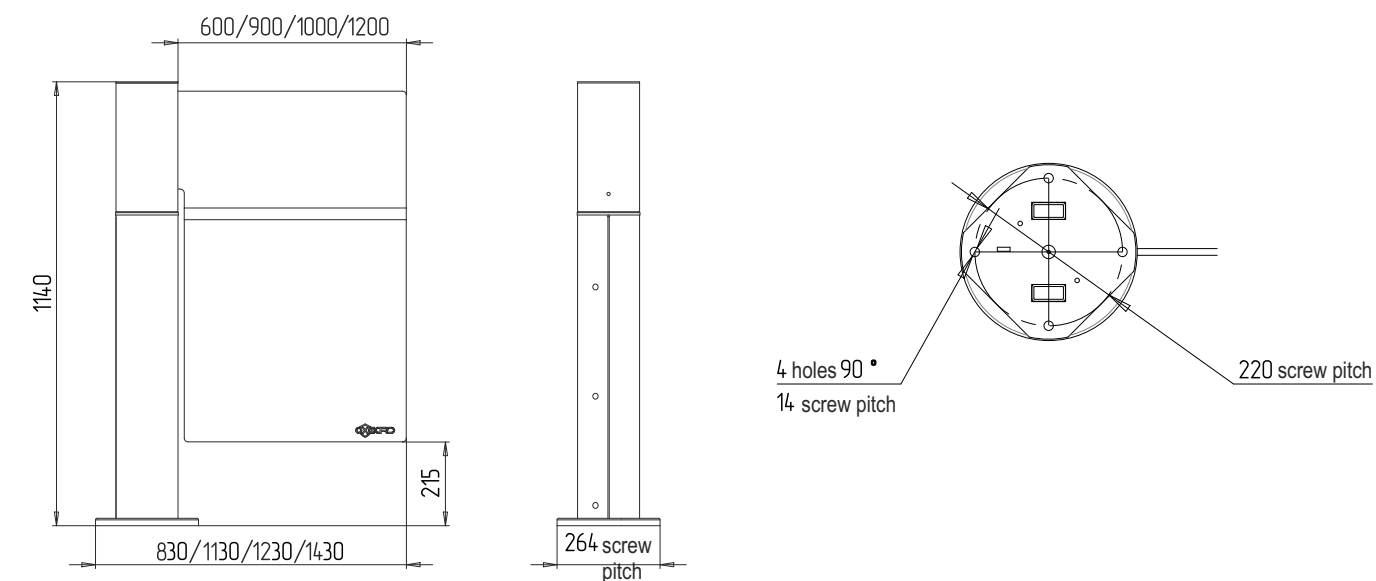
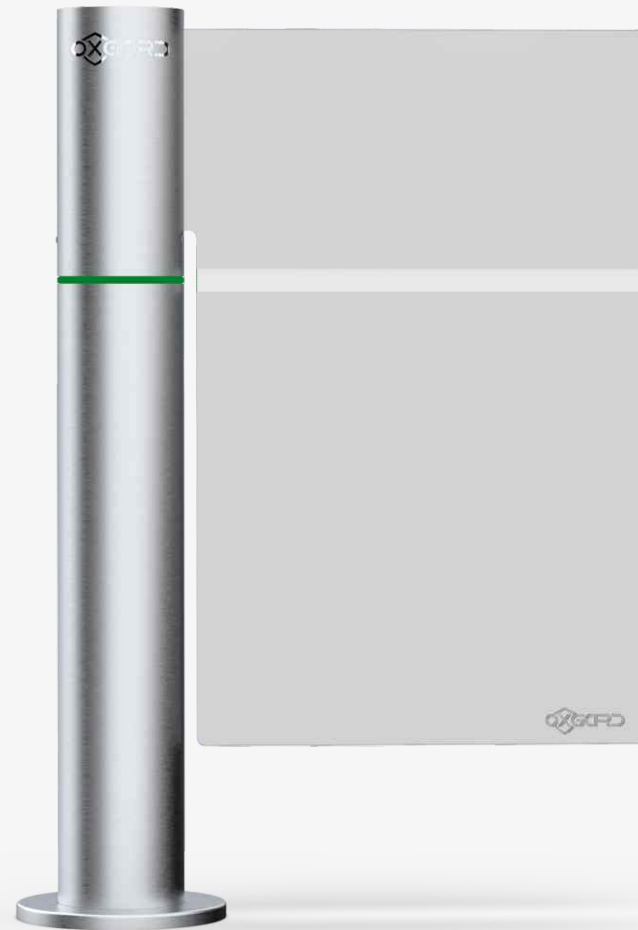
- motorized swing gate with built-in electronic control
- housing from stainless steel
- LED lighting
- reliable fixation
- remote control included in the delivery set
- passage indication
- free passage in case of power loss
- automatic anti-panic function
- integration with any ACS via dry contacts
- possible to install any additional equipment

### Supply options

- control unit
- card reader
- barrier
- turnstile
- uninterruptible power supply
- power supply unit

### Characteristics

- supply voltage 24 V
- working voltage 21.6-26.4 V
- power consumption 120 W
- average current on standby 1 A
- average current (passage mode) 3 A
- maximal current 10 A
- admission rate per/min - 12 people/min
- wing width: 600mm, 800mm, 1000mm, 1200mm
- protection degree 41
- number of passage directions - 2
- operational temperature range: from +1°C up to +40°C



# K-17

## motorized swing gate

### Description

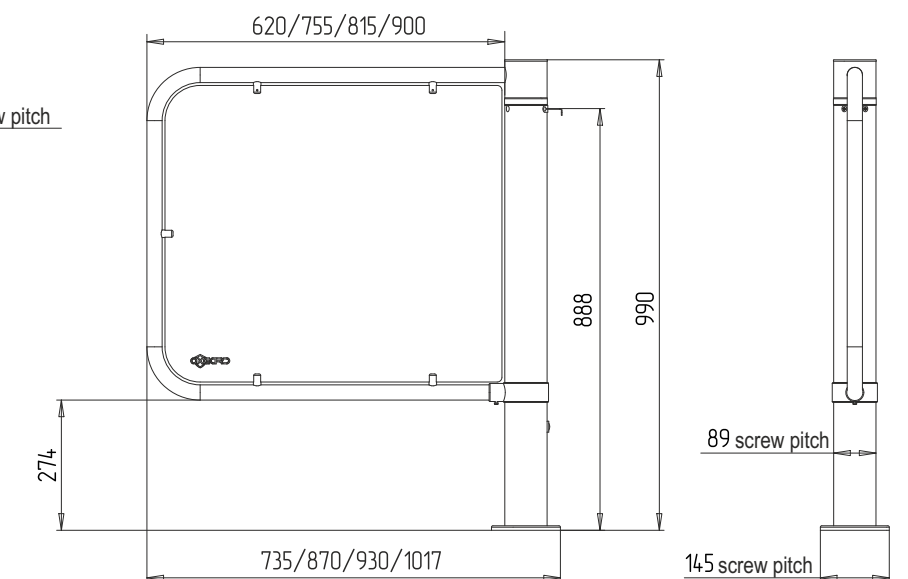
- housing from polished stainless steel
- bright indication
- LED lighting
- free passage in case of power loss
- automatic anti-panic function
- reliable fixation
- motorized swing gate
- integration with the majority of existing ACS via dry contacts
- remote control from stainless steel included in the delivery set

### Supply options

- control unit
- card reader
- barrier
- turnstile
- uninterruptible power supply
- power supply unit

### Characteristics

- supply voltage 24 V
- working voltage 21.6-26.4 V
- power consumption 240 W
- average current on standby 1 A
- average current (passage mode) 3 A
- maximal current 10 A
- admission rate per/min - 17 people/min
- wing width: 735mm, 870mm, 930mm, 1017mm
- protection degree 41
- number of passage directions - 2
- operational temperature range: from +1°C up to +40°C



# K-17.1

motorized swing gate

## Description

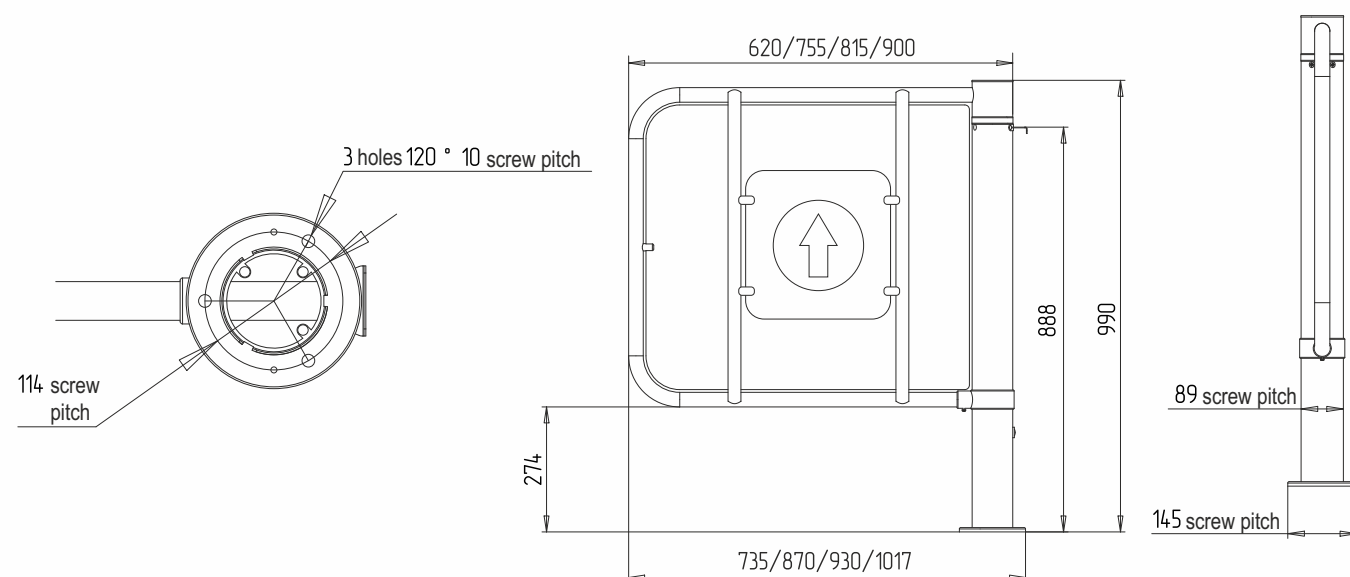
- housing from polished stainless steel
- bright indication
- LED lighting
- free passage in case of power loss
- automatic anti-panic function
- reliable fixation
- motorized swing gate
- integration with the majority of existing ACS via dry contacts
- remote control from stainless steel included in the delivery set

## Supply options

- control unit
- card reader
- barrier
- turnstile
- uninterruptible power supply
- power supply unit

## Characteristics

- supply voltage 24 V
- working voltage 21.6-26.4 V
- power consumption 240 W
- average current on standby 1 A
- average current (passage mode) 3 A
- maximal current 10 A
- admission rate per/min - 17 people/min
- wing width: 735mm, 870mm, 930mm, 1017mm
- protection degree 41
- number of passage directions - 2
- operational temperature range: from +1°C up to +40°C



# K-10 Full-height swing gate from powder-coated steel

## Characteristics

- passage width - 1020 mm
- operation: right or left hand
- door assist
- lock

## Article

- VZR 2340 - right
- VZR 2340-1 - left

# K-10-H Full-height swing gate from stainless steel

## Characteristics

- passage width - 1020 mm
- operation: right or left hand
- door assist
- lock

## Article

- VZR 2291 - right
- VZR 2291-1 - left



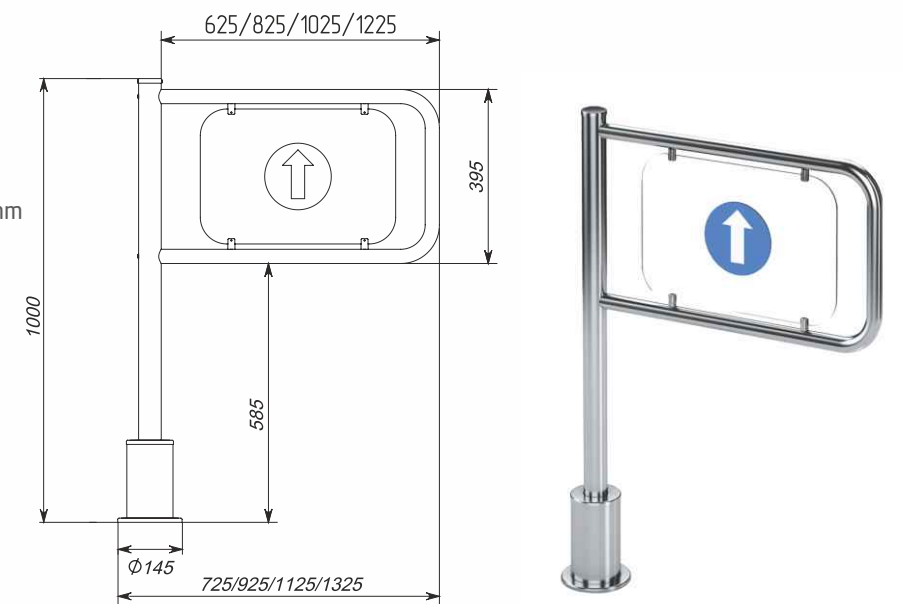
# K-11 Spring swing-gate

## Characteristics

- passage width - 625mm/825mm/1025mm/1225mm
- operation: right or left hand
- filler panel
- stainless steel
- lock
- spring-closing mechanism

## Article

- VZR 1993 - left 600
- VZR 1993-1 - right 600
- VZR 1993-2 - left 800
- VZR 1993-3 - right 800
- VZR 1993-4 - left 1000
- VZR 1993-5 - right 1000
- VZR 1993-6 - left 1200
- VZR 1993-7 - right 1200



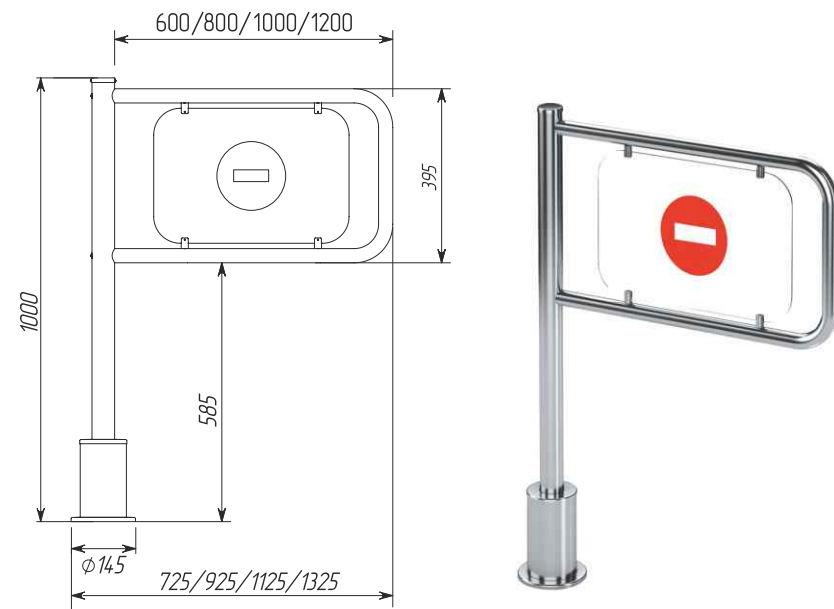
## K-11-A Spring swing-gate for outdoor use

### Characteristics

- passage width - 625mm/825mm/1025mm/1225mm
- operation: right or left hand
- filler panel
- stainless steel
- anti-corrosive coating of nodes and details
- spring-closing mechanism

### Article

- VZR 1993-10 - left 600
- VZR 1993-11 - right 600
- VZR 1993-12 - left 800
- VZR 1993-13 - right 800
- VZR 1993-14 - left 1000
- VZR 1993-15 - right 1000
- VZR 1993-16 - left 1200
- VZR 1993-17 - right 1200



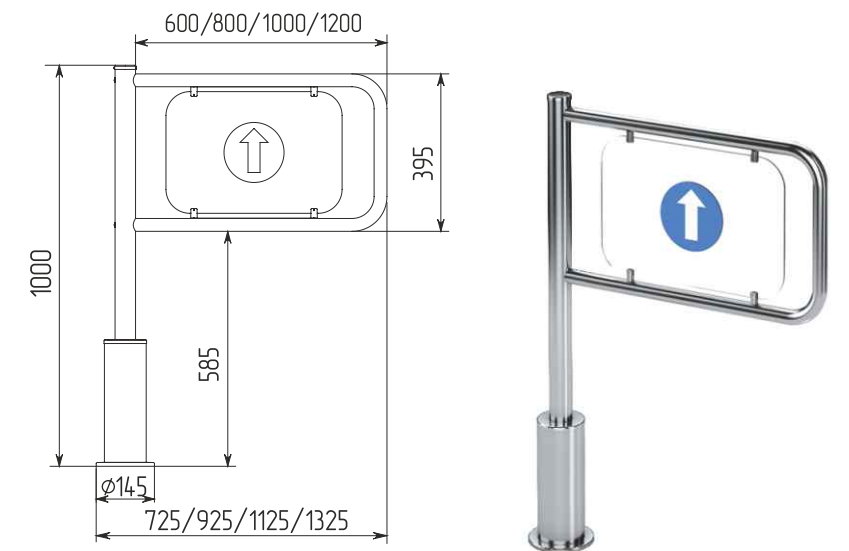
## K-13.1 Electromagnetic locking swing gate

### Characteristics

- passage width - 625mm/825mm/1025mm/1225mm
- magnetic return mechanism
- stainless steel
- magnetic key included in the delivery set

### Article

- VZR 1998 - right - 600
- VZR 1998-1 - right - 800
- VZR 1998-2 - right - 1000
- VZR 1998-3 - right - 1200
- VZR 1998-10 - left - 600
- VZR 1998-11 - left - 800
- VZR 1998-12 - left - 1000
- VZR 1998-13 - left - 1200



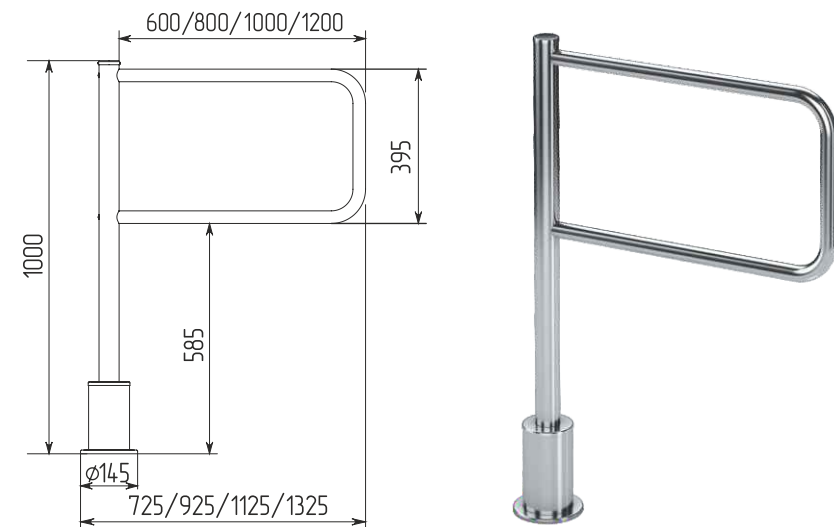
## K-12 Magnetic locking swing gate

### Characteristics

- passage width - 625mm/825mm/1025mm/1225mm
- magnetic return mechanism
- stainless steel
- magnetic key included in the delivery set

### Article

- VZR 1978 - 600
- VZR 1978-1 - 800
- VZR 1978-2 - 1000
- VZR 1978-3 - 1200



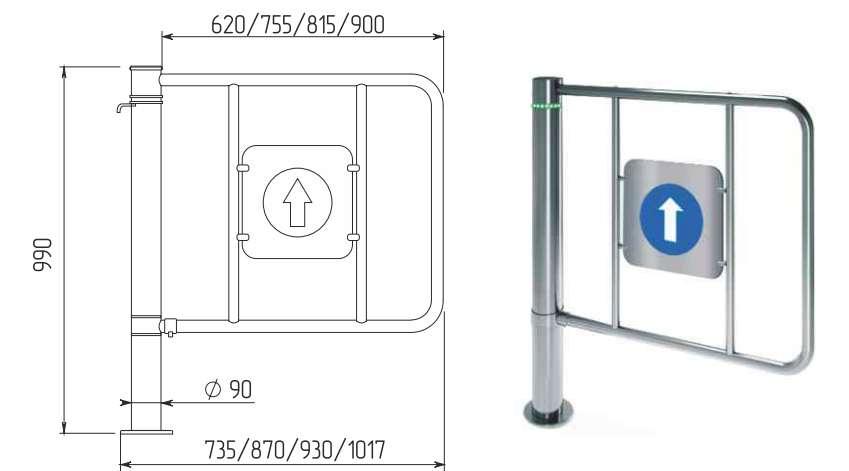
## K-15 Two-way electromechanical swing gate

### Characteristics

- swing gate width - 735 mm/870mm/930mm/1017mm
- glass panel
- filler panel
- stainless steel

### Article

- VZR 2126-2 - 735
- VZR 2126 - 870
- VZR 2126-1 - 930
- VZR 2126-3 - 1017



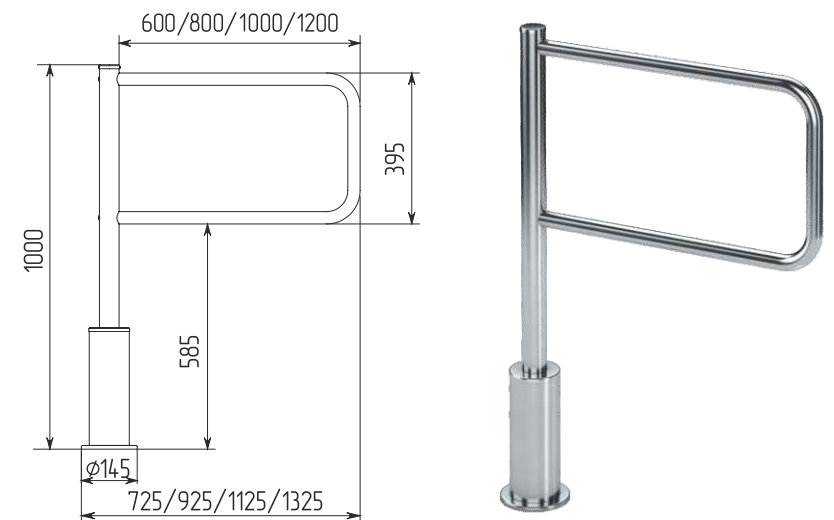
## K-13 Electromagnetic locking swing gate

### Characteristics

- passage width - 625mm/825mm/1025mm/1225mm
- magnetic return mechanism
- stainless steel
- magnetic key included in the delivery set

### Article

- VZR 1998 - right - 600
- VZR 1998-1 - right - 800
- VZR 1998-2 - right - 1000
- VZR 1998-3 - right - 1200
- VZR 1998-10 - left - 600
- VZR 1998-11 - left - 800
- VZR 1998-12 - left - 1000
- VZR 1998-13 - left - 1200



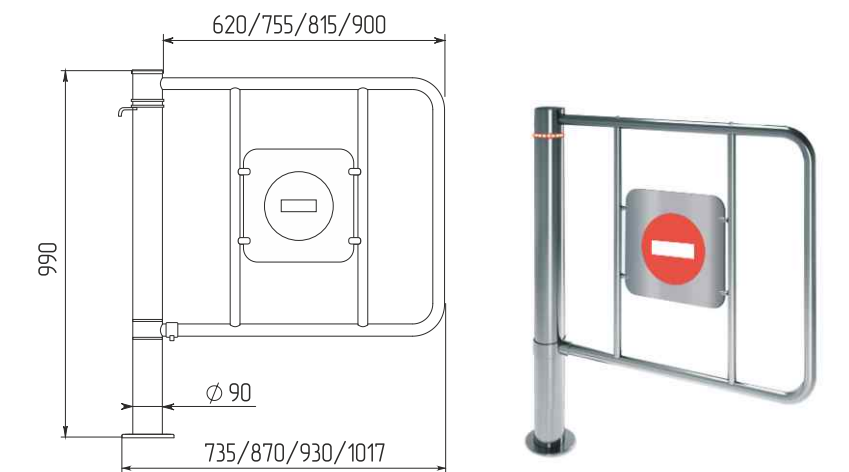
## K-15-A Two-way electromechanical swing gate for outdoor use

### Characteristics

- swing gate width - 735 mm/870mm/930mm/1017mm
- glass panel
- filler panel
- stainless steel
- anti-corrosive coating of nodes and details

### Article

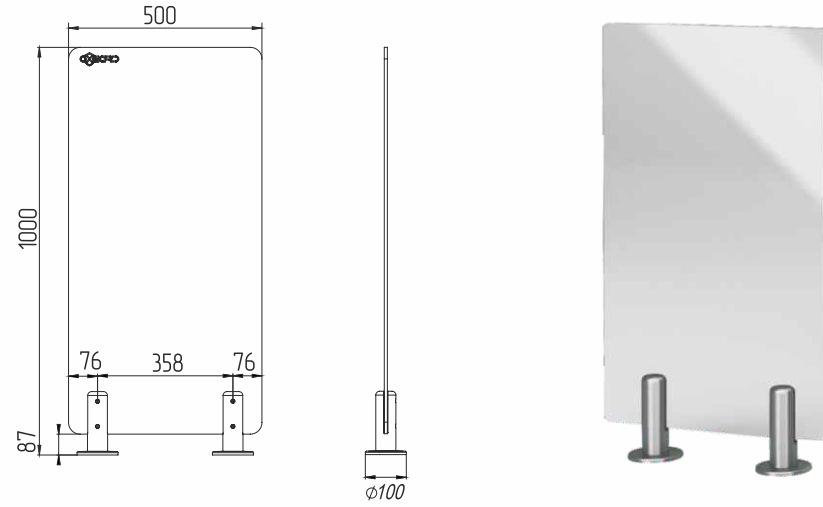
- VZR 2126-4 - 735
- VZR 2126-5 - 870
- VZR 2126-6 - 930
- VZR 2126-7 - 1017





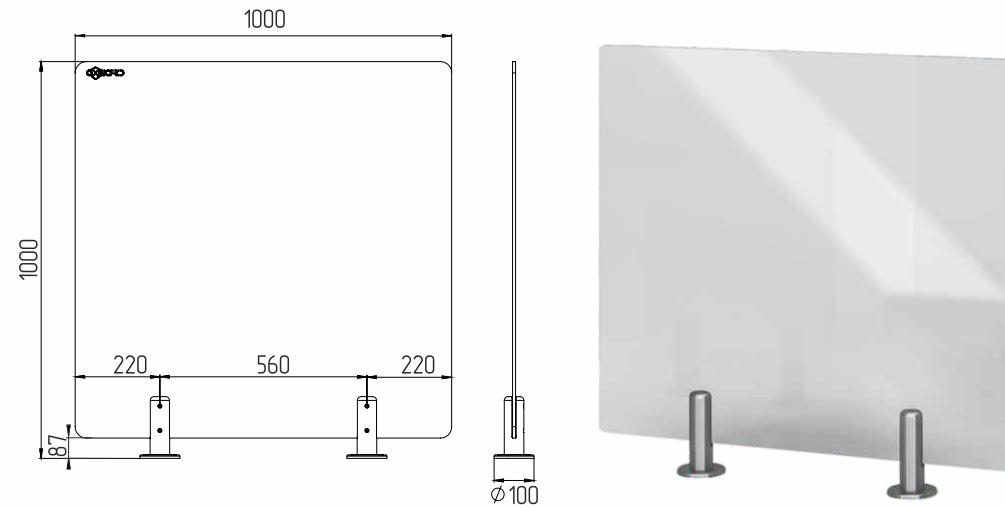
## Glass barrier 500

500 mm  
Article VZR 2377



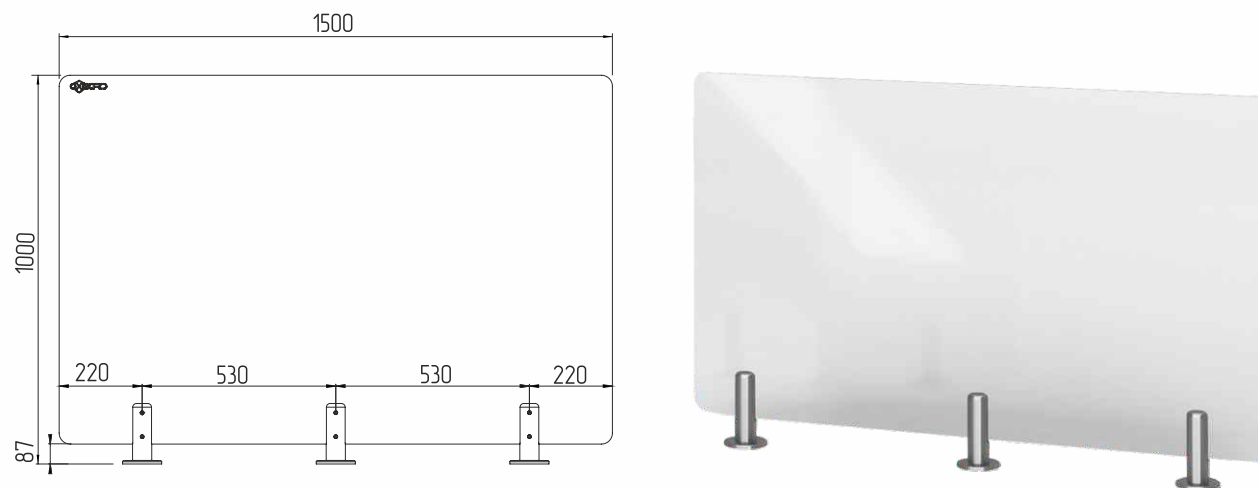
## Glass barrier 1000

1000 mm  
Article VZR 2377-01



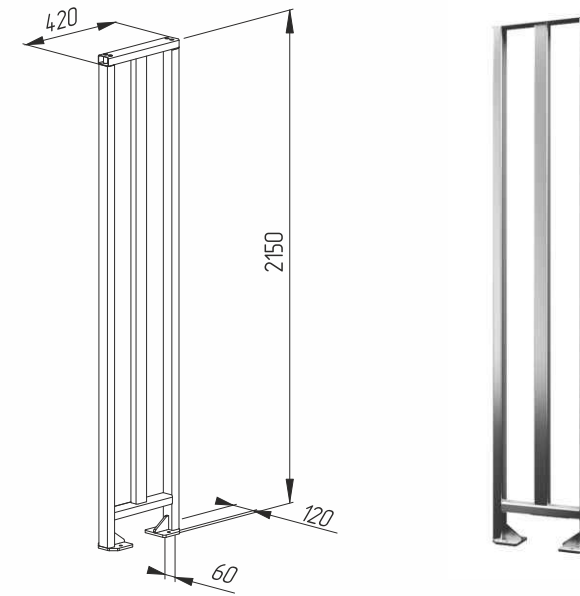
## Glass barrier 1500

1500 mm  
Article VZR 2377-02

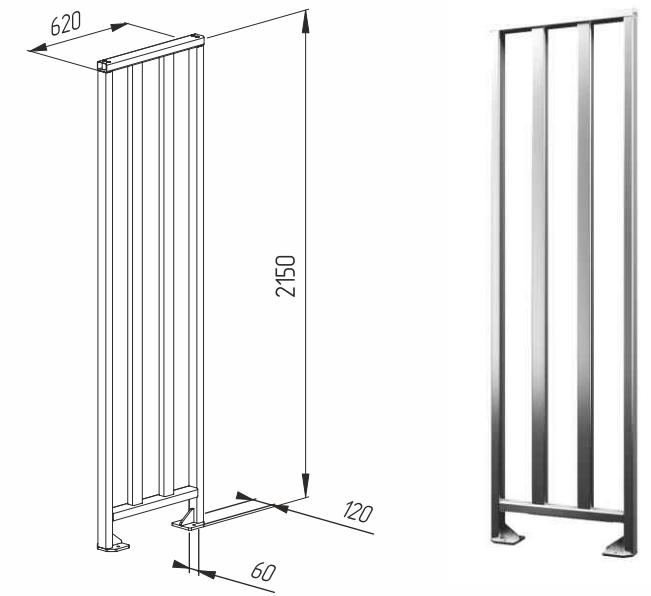


## Full-height barrier

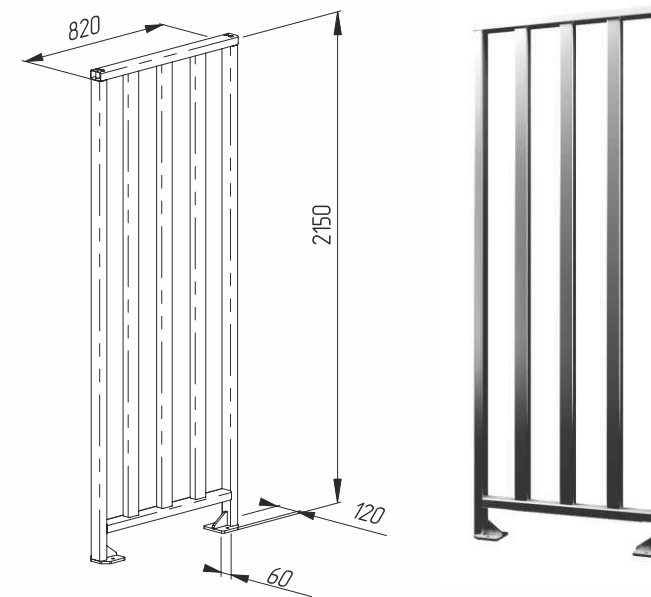
Article VZR 2342.01-04 - powder coated steel  
Article VZR 2443.01-04 - stainless steel



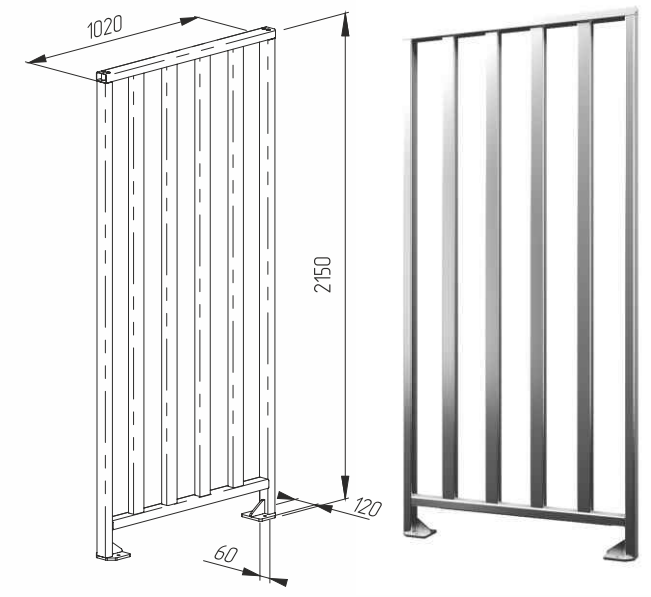
Article VZR 2342.01-03 - powder coated steel  
Article VZR 2443.01-03 - stainless steel



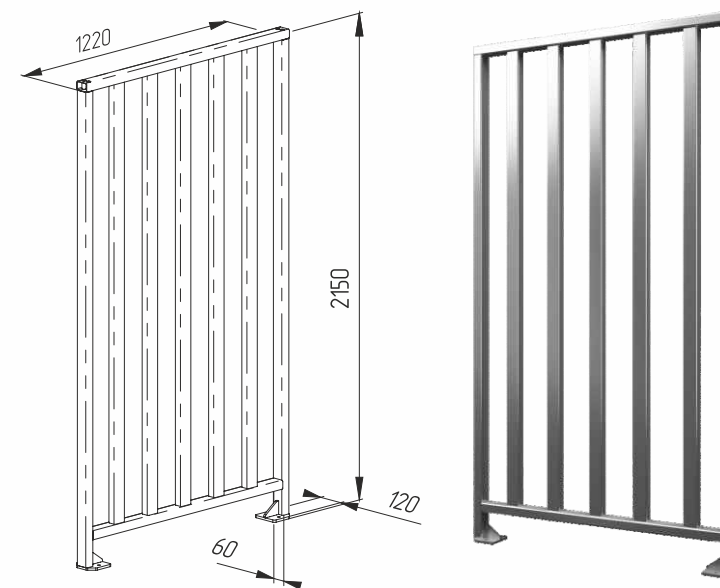
Article VZR 2342.01 - powder coated steel  
Article VZR 2443.01 - stainless steel



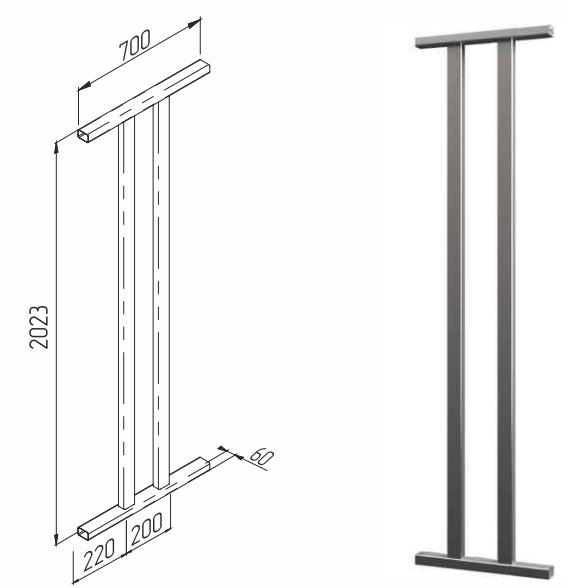
Article VZR 2342.01-01 - powder coated steel  
Article VZR 2443.01-01 - stainless steel



Article VZR 2342.01-02 - powder coated steel  
Article VZR 2443.01-02 - stainless steel

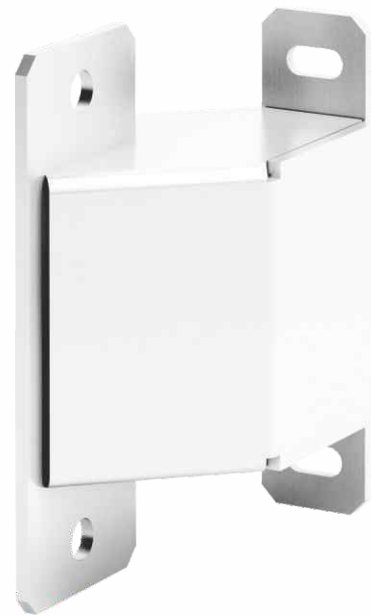
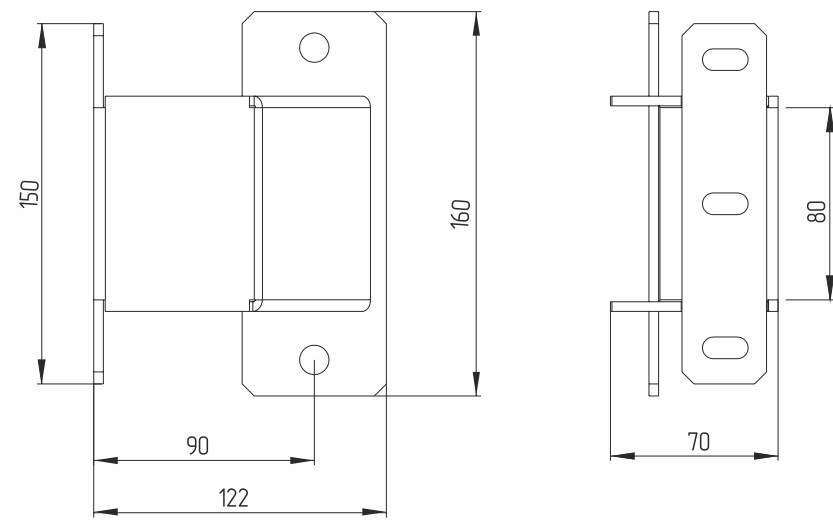


Article VZR 2342.02 - powder coated steel  
Article VZR 2443.02 - stainless steel



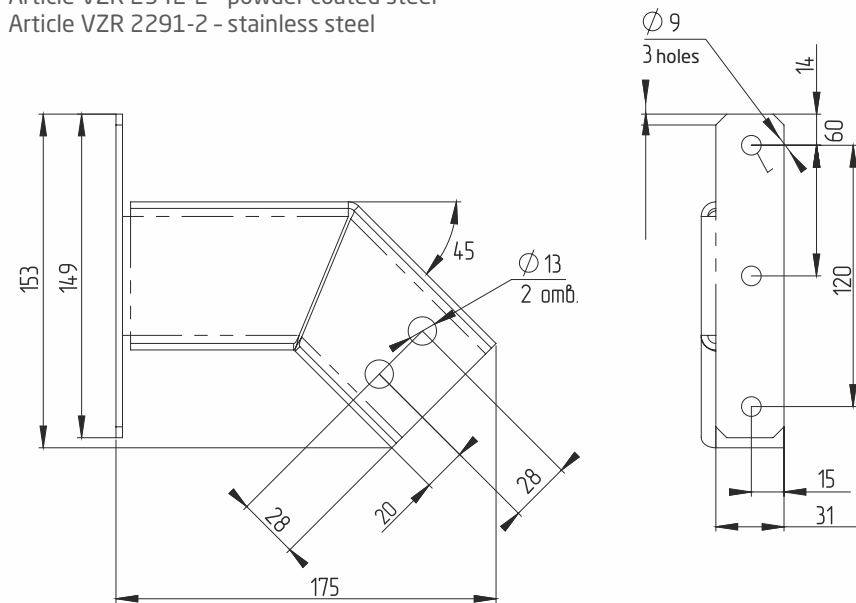
## Fixing bracket for turnstile and full-height swing gate

Article VZR 2342.05 - powder coated steel  
Article VZR 2443.05 - stainless steel



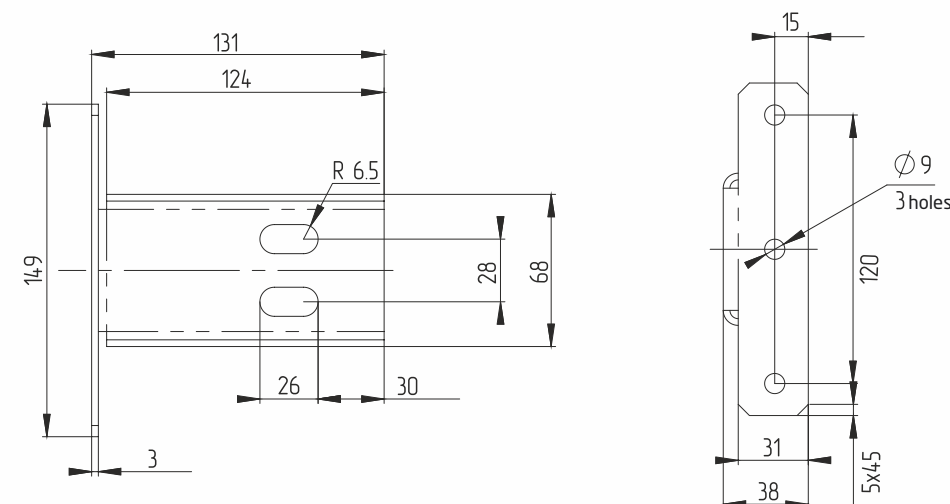
## Fixing bracket for turnstile, 45-degree angle

Article VZR 2342-2 - powder coated steel  
Article VZR 2291-2 - stainless steel



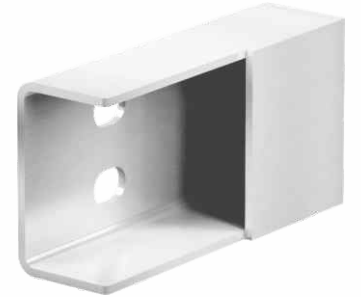
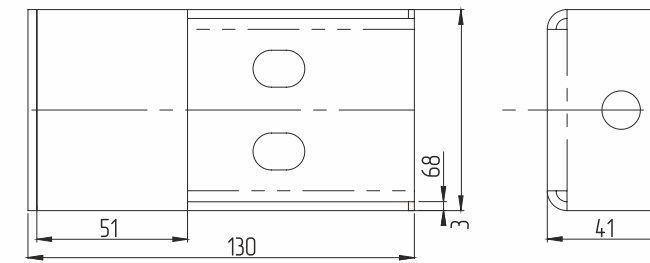
## Fixing bracket for turnstile

Article VZR 2340-001 - powder coated steel  
Article VZR 2291-1 - stainless steel



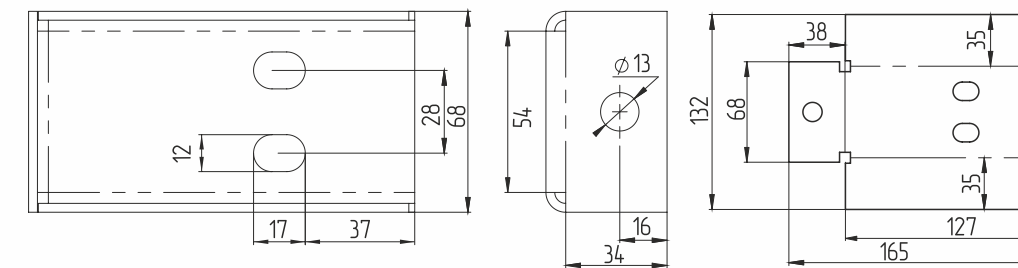
## Fixing bracket to the wall assembled

Article VZR 2342.04 - powder coated steel  
Article VZR 2443.04-1 - stainless steel



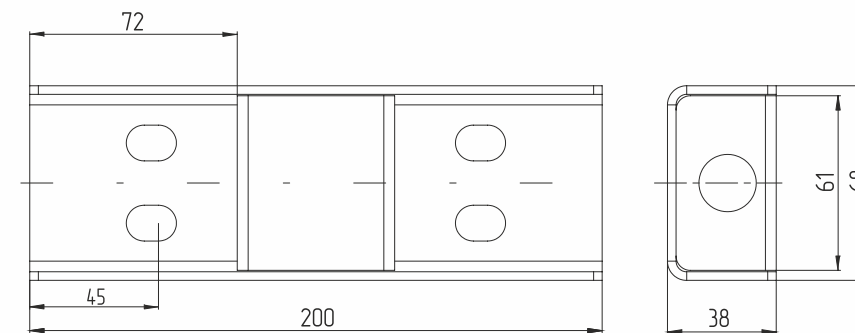
## Joining bracket for full-height barrier and swing gate

Article VZR 2342.04-01 - powder coated steel  
Article VZR 2443.04 - stainless steel

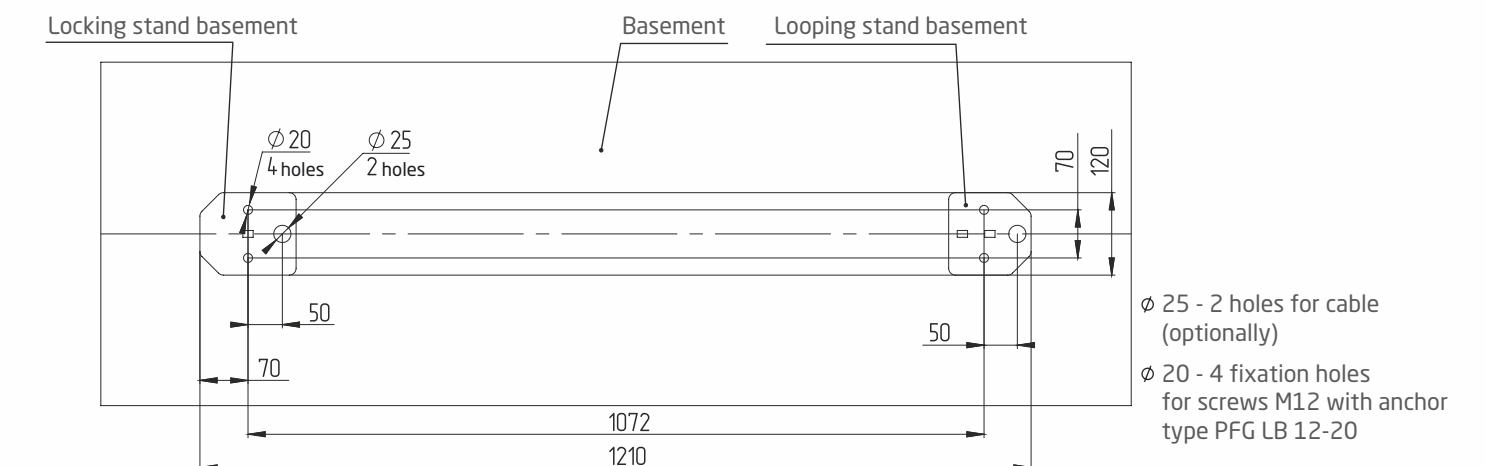


## Joining bracket

Article VZR 2342.03 - powder coated steel  
Article VZR 2443.03 - stainless steel



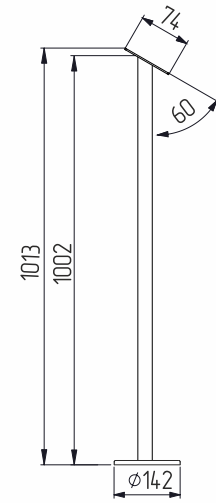
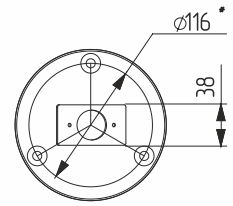
## Arrangement scheme of the holes for K-10 full-height swing gate fixation into the basement



## Reader stand d32

d32

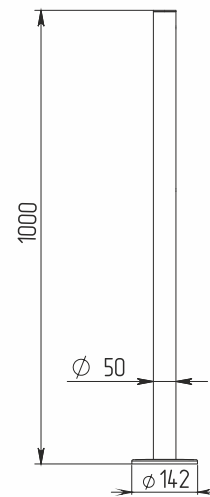
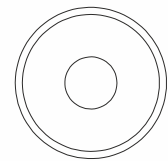
Article VZR 1957 - stainless steel  
Article VZR 1957R - powder coated steel



## Basic barrier stand

without holes

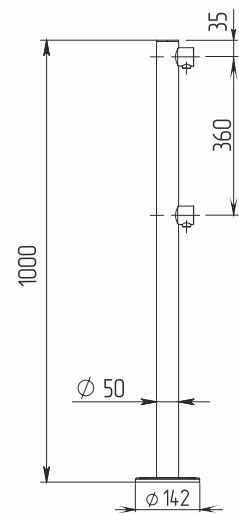
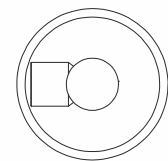
Article VZR 1702.2 - stainless steel  
Article VZR 1702R-02 - powder coated steel



## One sided barrier stand

one sided

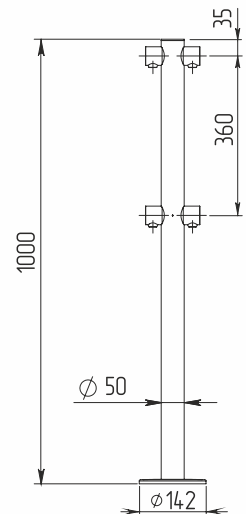
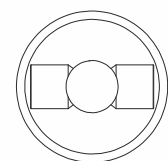
Article VZR 1996.01 - stainless steel  
Article VZR 1996R-01 - powder coated steel



## i-shaped barrier stand

two sided

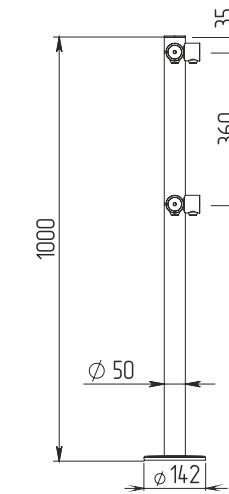
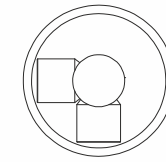
Article VZR 1996.02 - stainless steel  
Article VZR 1996R-02 - powder coated steel



## L-shaped barrier stand

two sided

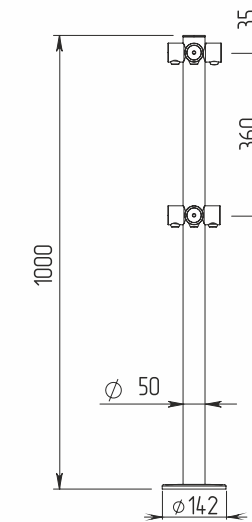
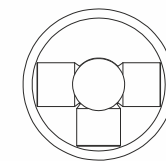
Article VZR 1996.03 - stainless steel  
Article VZR 1996R-03 - powder coated steel



## T-shaped barrier stand

three sided

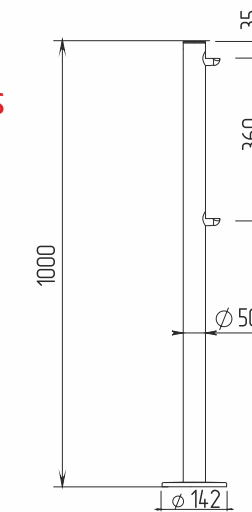
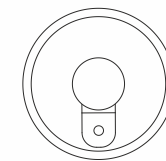
Article VZR 1996.04 - stainless steel  
Article VZR 1996R-04 - powder coated steel



## One sided barrier stand with two joints

for swing arm or swing section

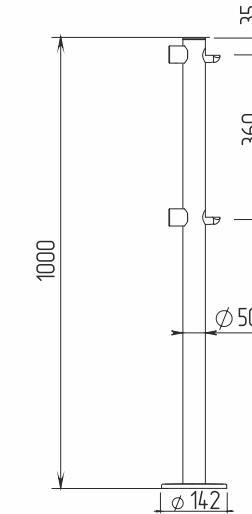
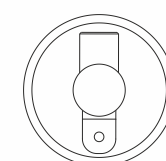
Article VZR 1996.09.10 - stainless steel  
Article VZR 1996R-09.10 - powder coated steel



## i-shaped barrier stand with two joints

2 joints for swing arm or swing section  
2 couplings

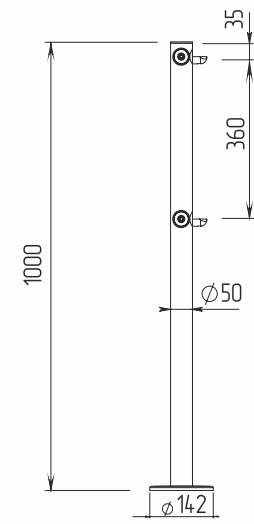
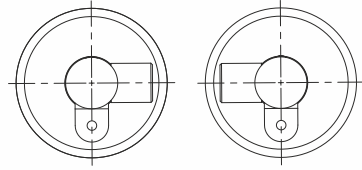
Article VZR 1996.01-01 - stainless steel  
Article VZR 1996R-01-01 - powder coated steel



### L-shaped barrier stand with two joints

2 joints for swing arm or swing section  
2 couplings (on the right, on the left)

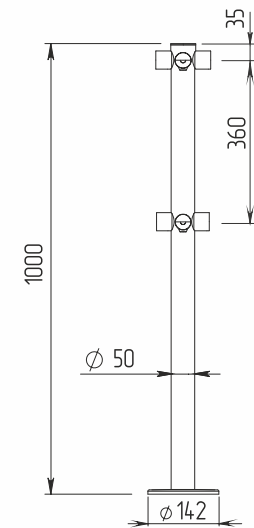
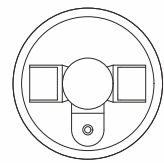
Article VZR 1996.09.01 - couplings on the right, stainless steel  
Article VZR 1996.09.11 - couplings on the left, stainless steel  
Article VZR 1996R-09.01 - couplings on the right, powder coated steel  
Article VZR 1996R-09.11 - couplings on the left, powder coated steel



### T-shaped barrier stand with two joints

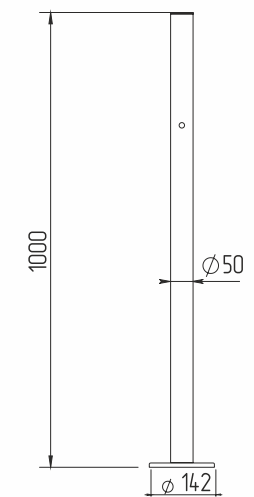
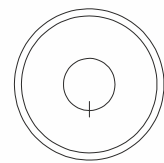
2 couplings on the right, 2 couplings on the left  
2 joints for swing arm or swing section

Article VZR 1996.09.21 - stainless steel  
Article VZR 1996R.09.21 - powder coated steel



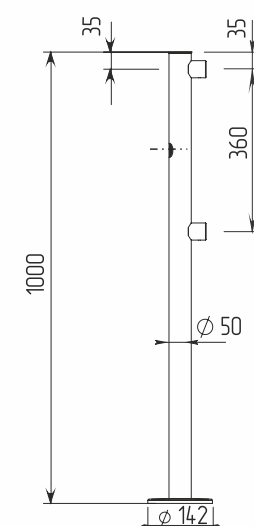
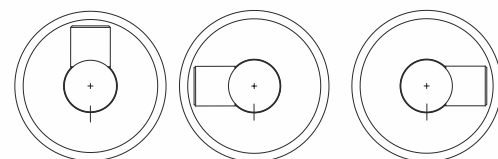
### Basic barrier stand with a hole for plunger pin

Article VZR 1702.02.05 - stainless steel  
Article VZR 1996R.02.01.05 - powder coated steel



### One sided barrier stand with a hole for plunger pin

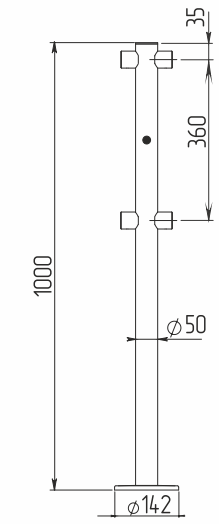
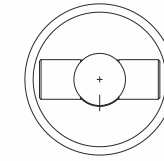
Article VZR 1996.09.02 - straight, stainless steel  
Article VZR 1996.09.12 - on the left, stainless steel  
Article VZR 1996.09.22 - on the right, stainless steel  
Article VZR 1996R-09.02 - straight, powder coated steel  
Article VZR 1996R-09.12 - on the left, powder coated steel  
Article VZR 1996R-09.22 - on the right, powder coated steel



### i-shaped barrier stand with a hole for plunger pin

4 couplings

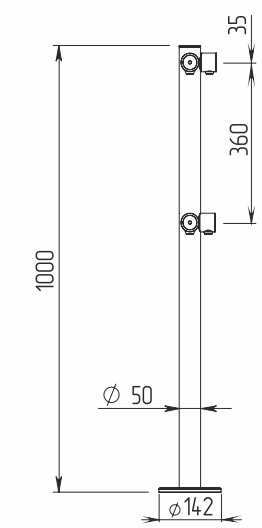
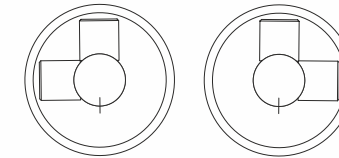
Article VZR 1996.09.42 - stainless steel  
Article VZR 1996R-09.42 - powder coated steel



### L-shaped barrier stand with a hole for plunger pin

2 couplings (on the right, on the left)

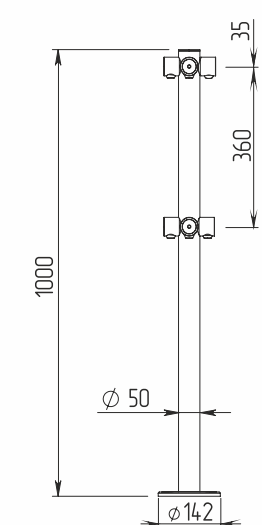
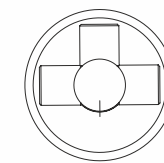
Article VZR 1996.09.52 - 4 couplings on the left, stainless steel  
Article VZR 1996.09.62 - 4 couplings on the right, stainless steel  
Article VZR 1996R-09.62 - couplings on the left, powder coated steel  
Article VZR 1996R-09.52 - couplings on the right, powder coated steel



### T-shaped barrier stand with a hole for plunger pin

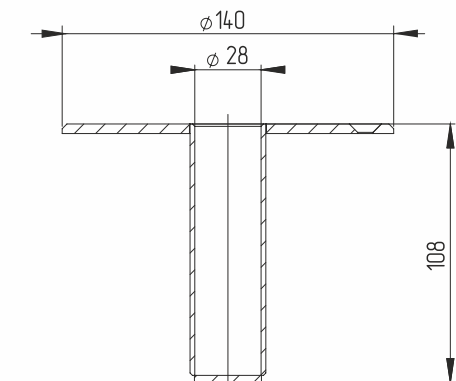
6 couplings

Article VZR 1996.09.32 - stainless steel  
Article VZR 1996R-09.32 - powder coated steel



### Floor holder for removable modular barrier

Floor holder for removable modular barrier

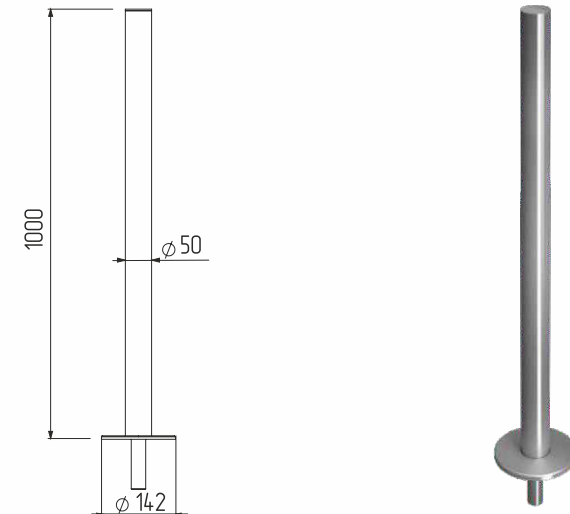
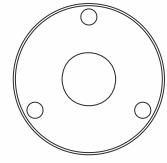




## Basic removable barrier stand

basic with holder

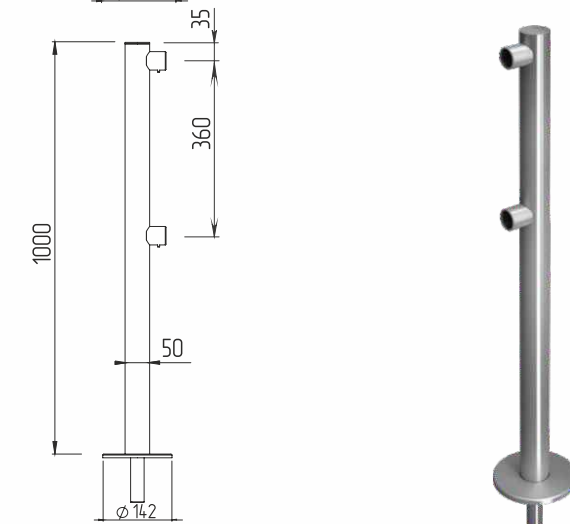
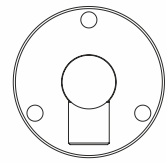
Article VZR 1996P05



## One sided removable barrier stand

one sided with holder

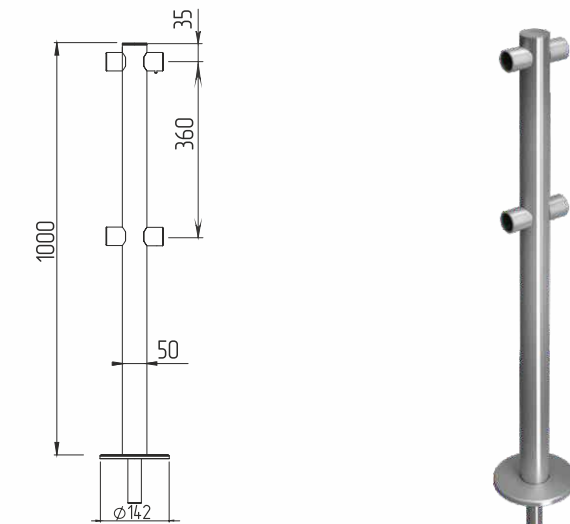
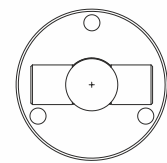
Article VZR 1996P01



## i-shaped removable barrier stand

two-sided i-shaped with holder

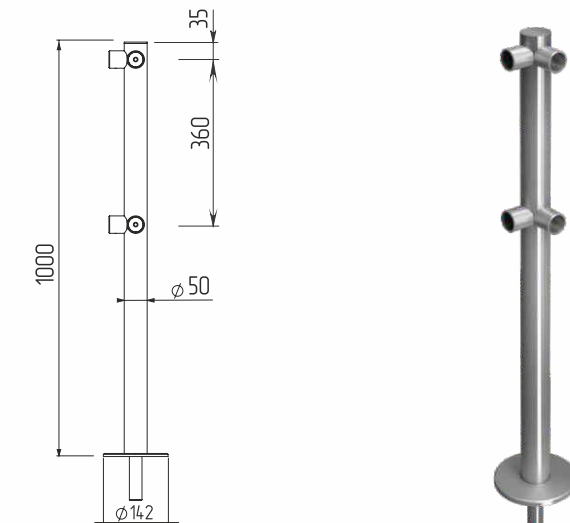
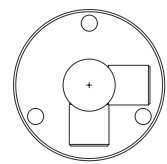
Article VZR 1996P02



## L-shaped removable barrier stand

two-sided 4 couplings with holder

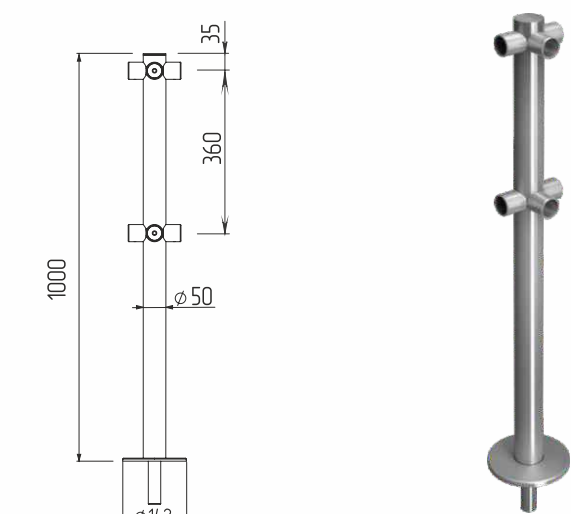
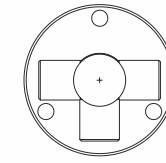
Article VZR 1996P03



## T-shaped removable barrier stand

6 couplings with holder

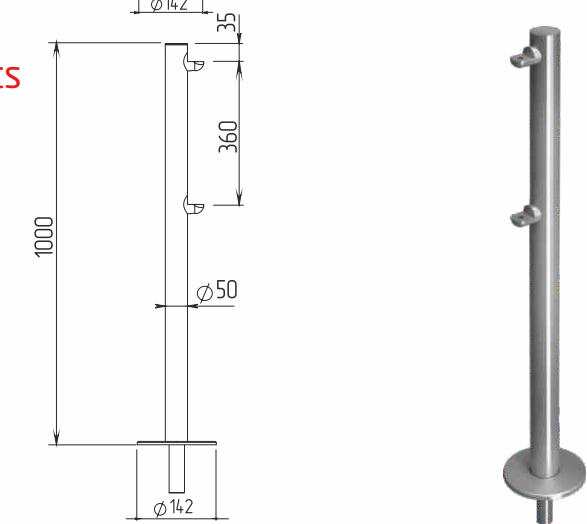
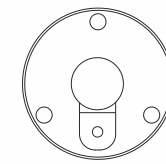
Article VZR 1996P04



## One-sided removable barrier stand with two joints

2 joints for swing arm or swing section

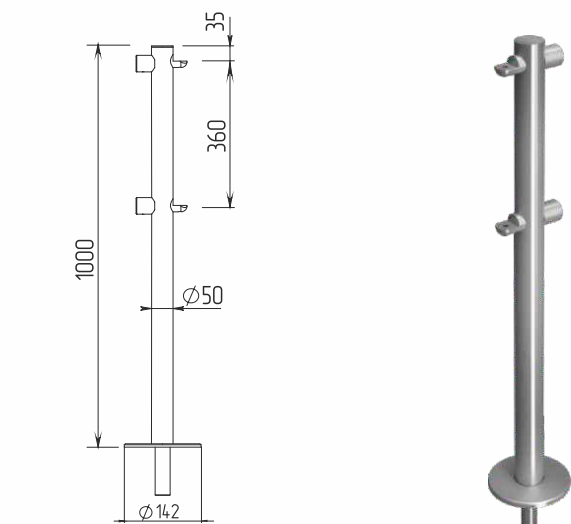
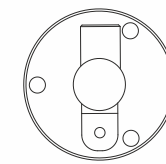
Article VZR 1996P.20



## i-shaped removable barrier stand with two joints

basic with holder

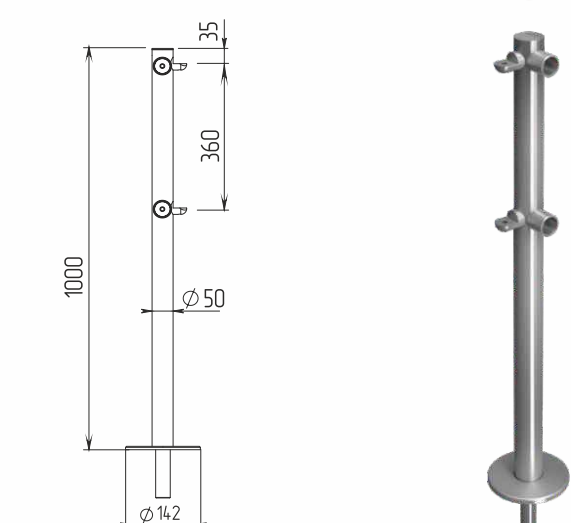
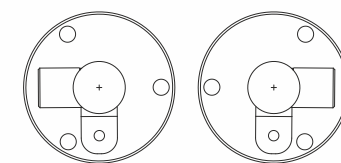
Article VZR 1996P.20-1



## L-shaped removable barrier stand with two joints

2 joints for swing arm or swing section and 2 couplings

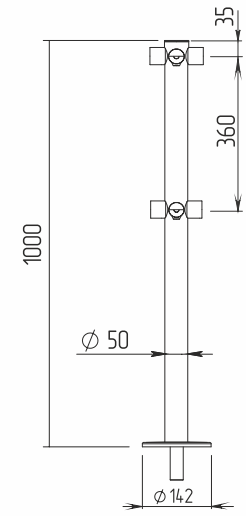
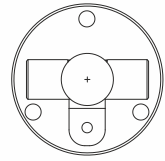
Article VZR 1996P.20-2 - 2 couplings on the left  
Article VZR 1996P.20-3 - 2 couplings on the right



### T-shaped removable barrier stand with two joints

2 joints for swing arm or swing section  
2 couplings (on the right, on the left)

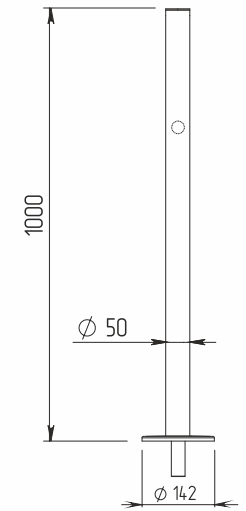
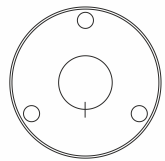
Article VZR 1996P.20-4



### Basic removable barrier stand with a hole for plunger pin

basic with holder and a hole for plunger pin

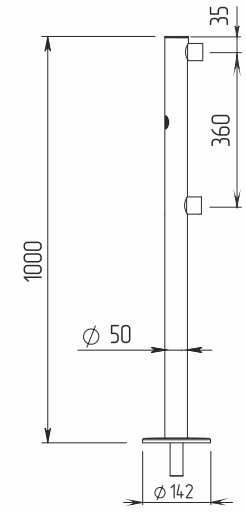
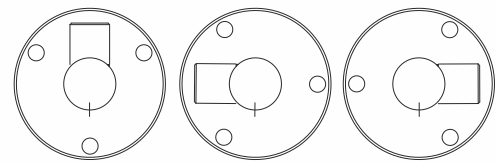
Article VZR 1996P.21



### One-sided removable barrier stand with a hole for plunger pin

one-sided, 2 couplings and a hole

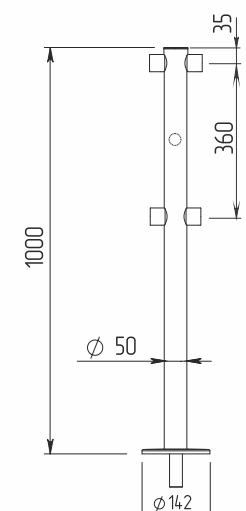
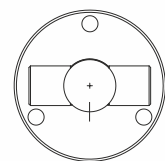
Article VZR 1996P.21-01 - 2 couplings and a straight hole  
Article VZR 1996P.21-02 - 2 couplings and a hole on the left  
Article VZR 1996P.21-03 - 2 couplings and a hole on the right



### i-shaped removable barrier stand with a hole for plunger pin

4 couplings, a hole for plunger pin

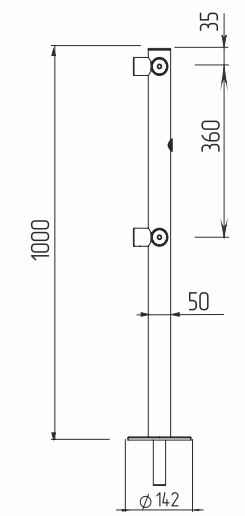
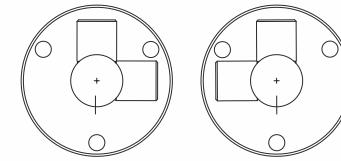
Article VZR 1996P.21-04



### L-shaped removable barrier stand with a hole for plunger pin

4 couplings, a hole for plunger pin

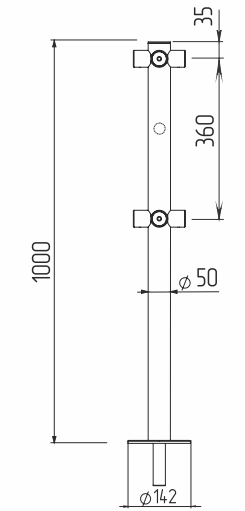
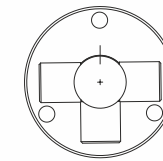
Article VZR 1996P.21-05 - 4 couplings on the right, 90-degree angle  
Article VZR 1996P.21-06 - 4 couplings on the left, 90-degree angle



### T-shaped removable barrier stand with a hole for plunger pin

6 couplings

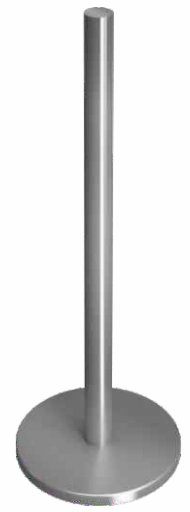
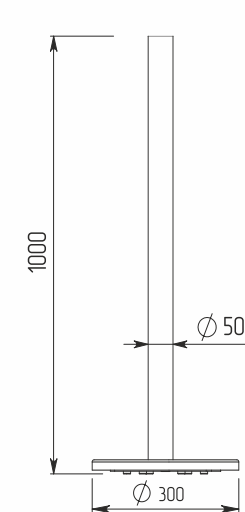
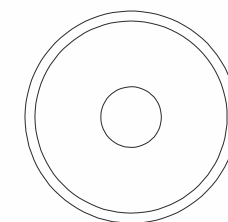
Article VZR 1996P.21-07



### Basic mobile barrier stand

mobile barrier stand

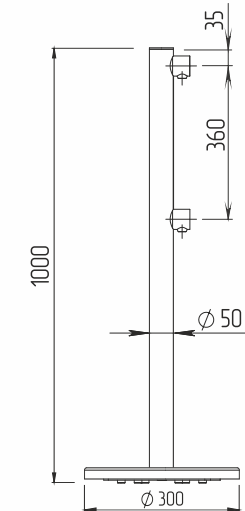
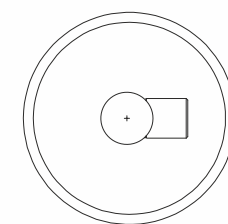
Article VZR 2442.05



### One-sided mobile barrier stand

one-sided mobile

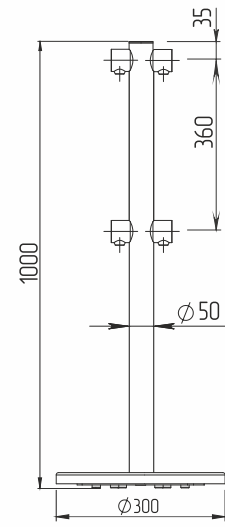
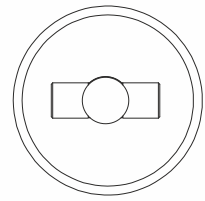
Article VZR 2442.01



### i-shaped mobile barrier stand

i-shaped mobile

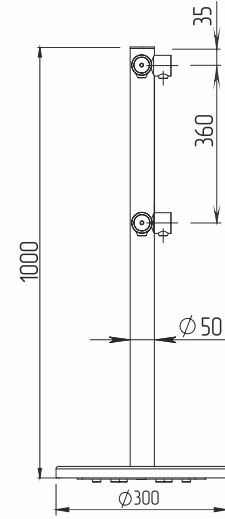
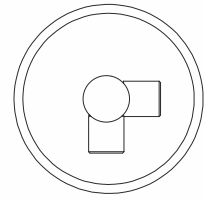
Article VZR 2442.02



### L-shaped mobile barrier stand

L-shaped two-sided mobile

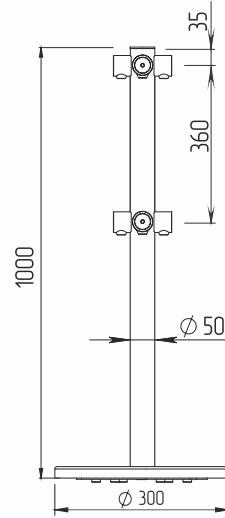
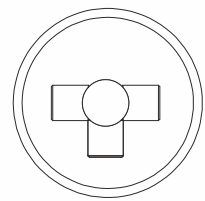
Article VZR 2442.03



### T-shaped mobile barrier stand

T-shaped three-sided mobile

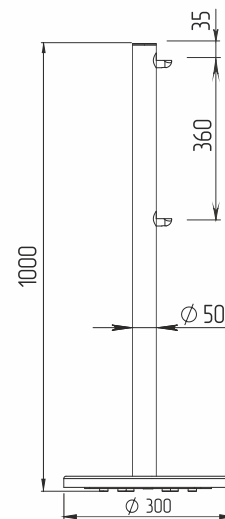
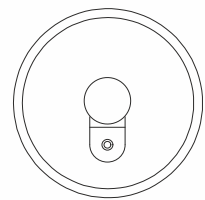
Article VZR 2442.04



### One-sided mobile barrier stand with two joints

mobile with two joints basic for swing arm or swing section

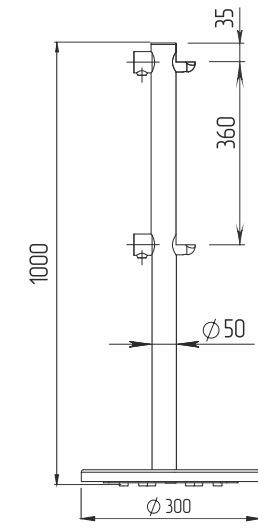
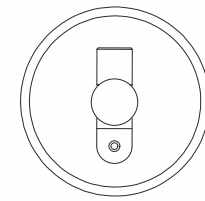
Article VZR 2442.09.10



### i-shaped mobile barrier stand with two joints

mobile with two joints basic for swing arm or swing section  
i-shaped, two couplings

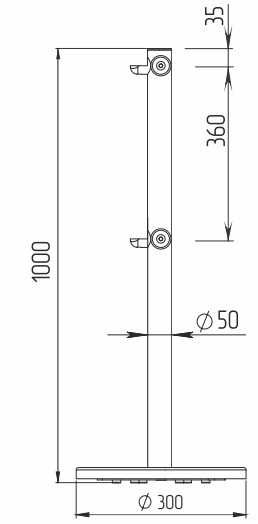
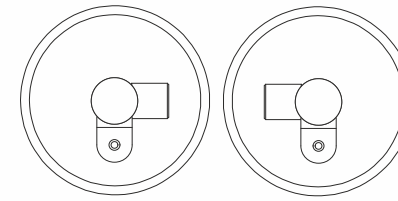
Article VZR 2442.00-01



### L-shaped mobile barrier stand with two joints

mobile with two joints basic for swing arm or swing section  
two couplings

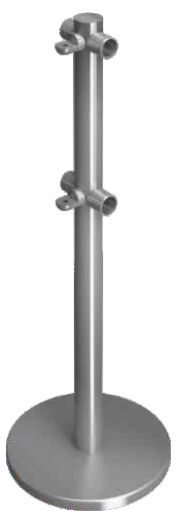
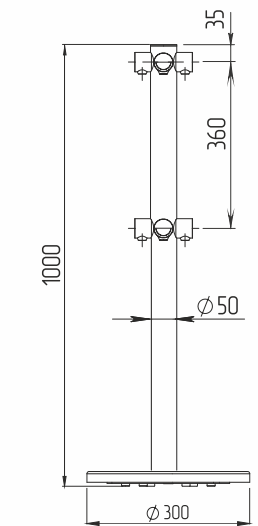
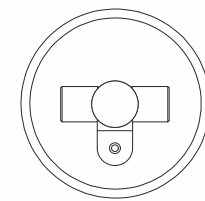
Article VZR 2442.09.01 - 2 couplings on the right  
Article VZR 2442.09.11 - 2 couplings on the left



### T-shaped mobile barrier stand with two joints

mobile with two joints basic for swing arm or swing section  
T-shaped, two couplings on the left and on the right

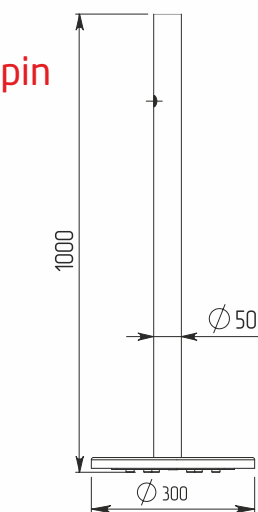
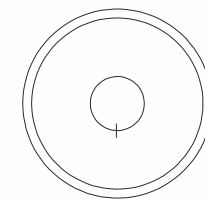
Article VZR 2442.09.21



### Basic mobile barrier stand with a hole for plunger pin

One-sided mobile barrier stand with a hole for plunger pin

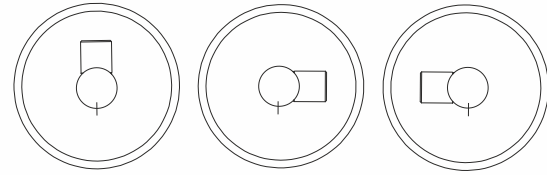
Article VZR 2442.09.02



## One-sided mobile barrier stand with a hole for plunger pin

mobile, with a hole for plunger pin, basic  
2 couplings

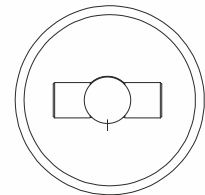
Article VZR 2442.09.05 - straight  
Article VZR 2442.09.52 - on the right  
Article VZR 2442.09.62 - on the left



## i-shaped mobile barrier stand with a hole for plunger pin

mobile, with a hole for plunger pin, i-shaped  
4 couplings

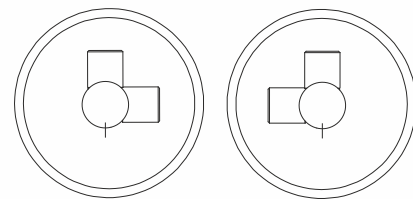
Article VZR 2442.09.42



## L-shaped mobile barrier stand with a hole for plunger pin

mobile, with a hole for plunger pin, L-shaped  
2 couplings

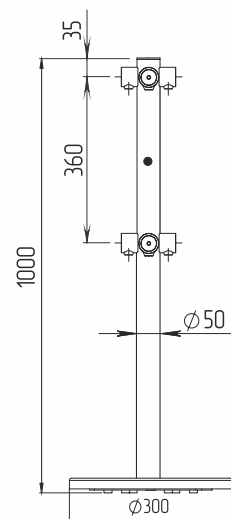
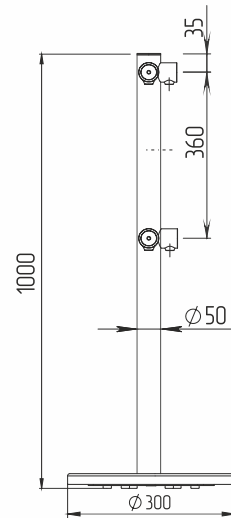
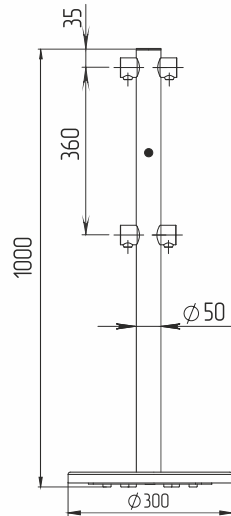
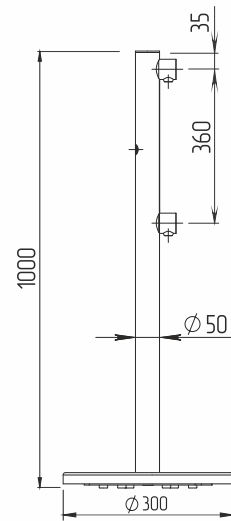
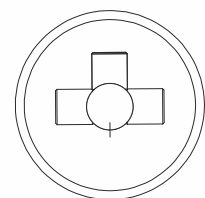
Article VZR 2442.09.12 - two couplings on the right  
Article VZR 2442.09.22 - two couplings on the left



## T-shaped mobile barrier stand with a hole for plunger pin

T-shaped, three-sided, mobile, 6 couplings

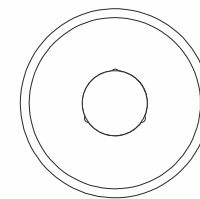
Article VZR 2442.09.32



## Mobile barrier stands with a belt

Article

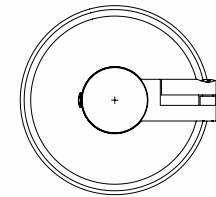
VZR 2387 - Mobile barrier stand with a belt (2m, red)  
VZR 2387.07 - Mobile barrier stand with a belt (2m, black)  
VZR 2387.04 - Mobile barrier stand with a belt (2m, red, with stopper)  
VZR 2387.05 - Mobile barrier stand with a belt (2m, black, with stopper)  
VZR 2387.06 - Mobile barrier stand with a belt (5m, red)  
VZR 2387.01 - Mobile barrier stand with a belt (5m, black)  
VZR 2387.02 - Mobile barrier stand with a belt (5m, red, with stopper)  
VZR 2387.03 - Mobile barrier stand with a belt (5m, black, with stopper)



## One-sided barrier stand for glass panel h=400mm

One-sided barrier stand for glass panel h=400mm

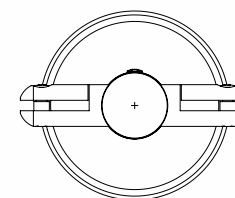
Article VZR 2462-00.01



## i-shaped barrier stand for glass panel h=400mm

i-shaped barrier stand for glass panel h=400mm

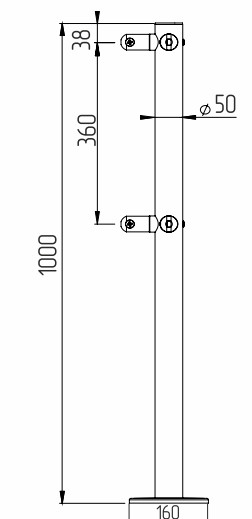
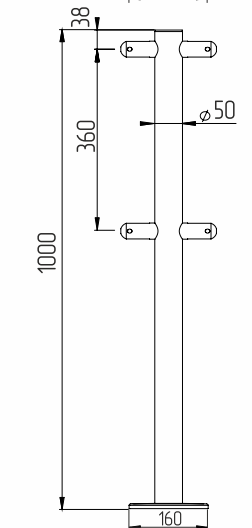
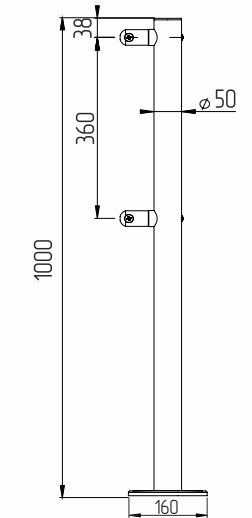
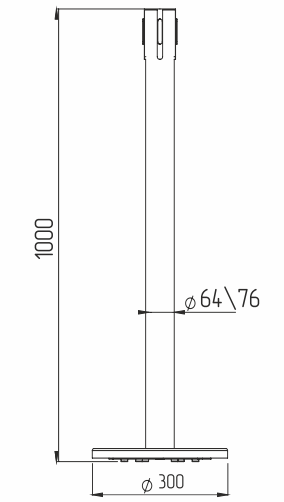
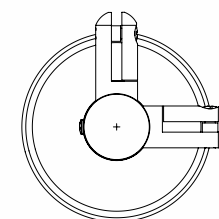
Article VZR 2462-00.02-01



## L-shaped barrier stand for glass panel h=400mm

L-shaped barrier stand for glass panel h=400mm

Article VZR 2462-00.02-02

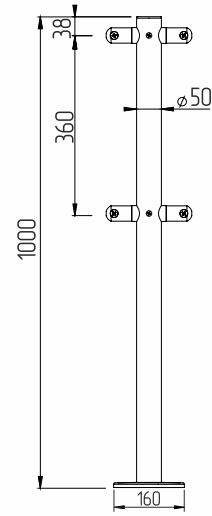
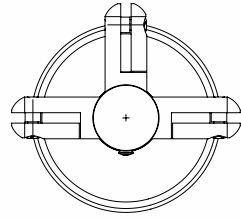




### T-shaped barrier stand for glass panel h=400mm

T-shaped barrier stand for glass panel h=400mm

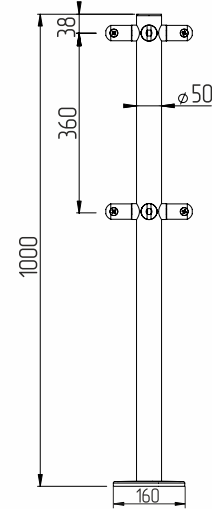
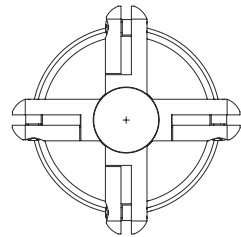
Article VZR 2462-00.02-03



### X-shaped barrier stand for glass panel h=400mm

X-shaped barrier stand for glass panel h=400mm

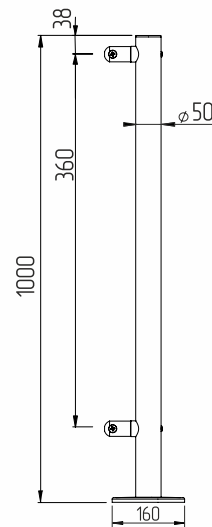
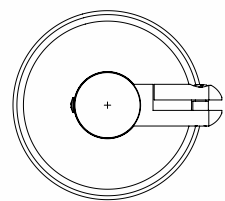
Article VZR 2462-00.02-03



### One-sided barrier stand for glass panel h=800mm

One-sided barrier stand for glass panel h=800mm

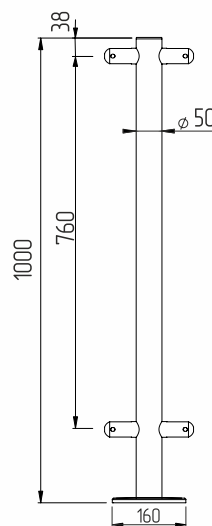
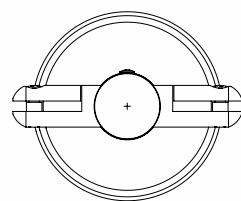
Article VZR 2462-00.02-05



### i-shaped barrier stand for glass panel h=800mm

i-shaped barrier stand for glass panel h=800mm

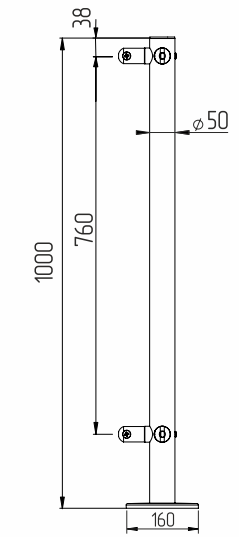
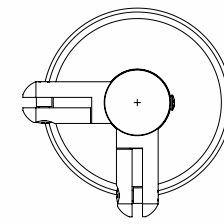
Article VZR 2462-00.02-06



### L-shaped barrier stand for glass panel h=800mm

L-shaped barrier stand for glass panel h=800mm

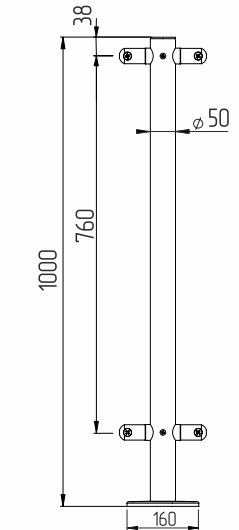
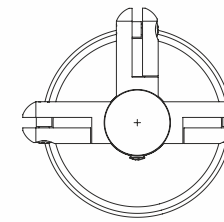
Article VZR 2462-00.02-07



### T-shaped barrier stand for glass panel h=800mm

T-shaped barrier stand for glass panel h=800mm

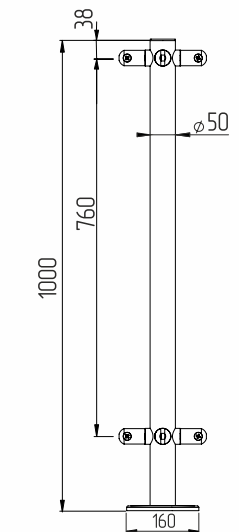
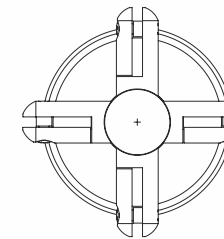
Article VZR 2462-00.02-08



### X-shaped barrier stand for glass panel h=800mm

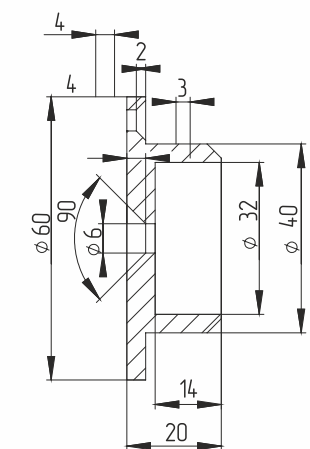
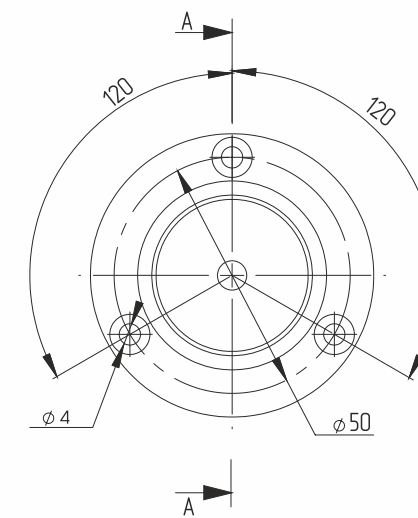
X-shaped barrier stand for glass panel h=800mm

Article VZR 2462-00.02-08



### Hub-flange

Article VZR 1702-002



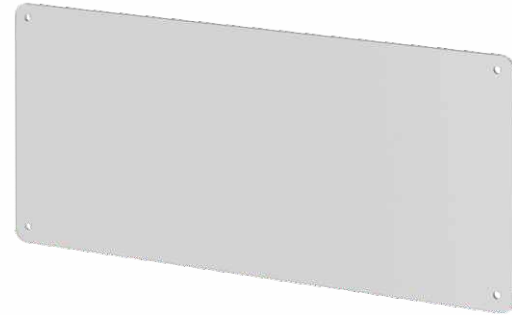
### Glass 500 h=400mm

Article VZR 2462-001



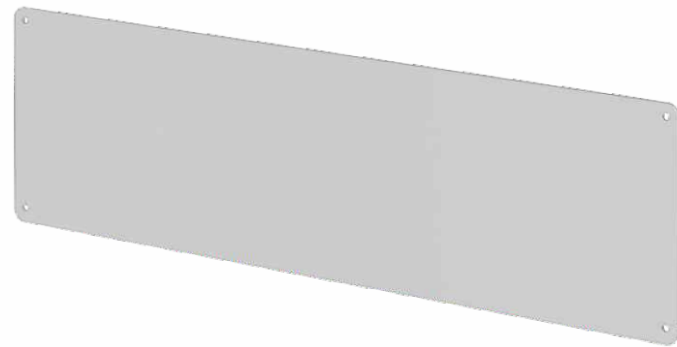
### Glass 1000 h=400mm

Article VZR 2462-001-01



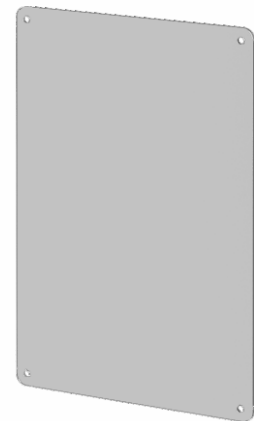
### Glass 1500 h=400mm

Article VZR 2462-001-02



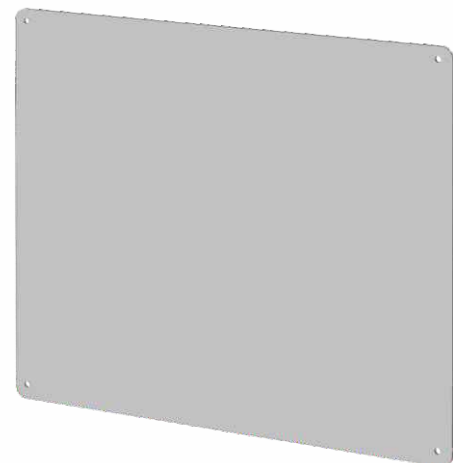
### Glass 500 h=800mm

Article VZR 2462-001-03



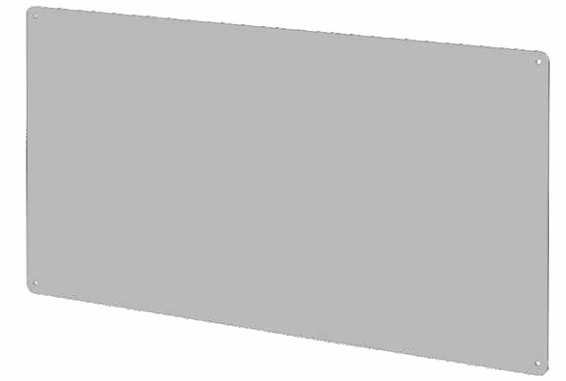
### Glass 1000 h=800mm

Article VZR 2462-001-04



### Glass 1500 h=800mm

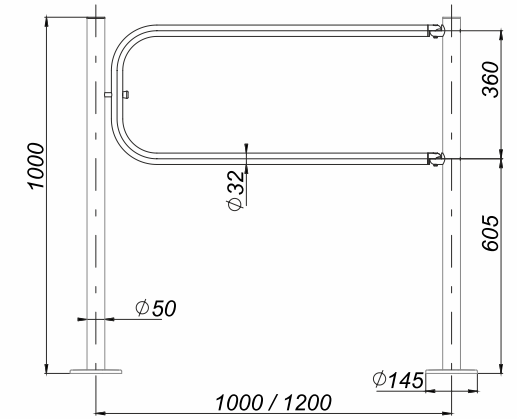
Article VZR 2462-001-05



### Turnable arms

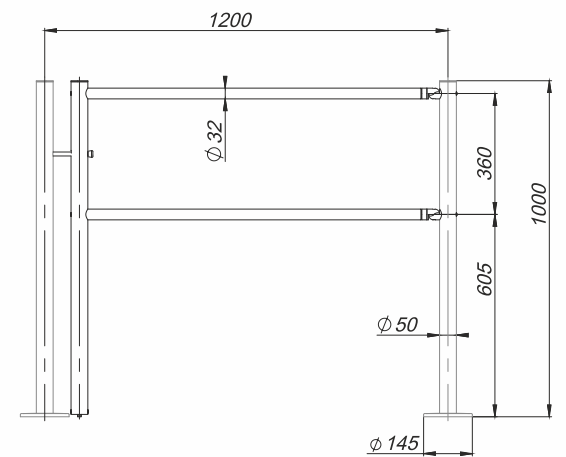
#### Turnable barrier arm 1000mm

Article VZR 1996.09.03 stainless steel  
Article VZR 1996R.09.03 powder coated steel



#### Turnable barrier arm 1200mm

Article VZR 1996.09.03-01 stainless steel  
Article VZR 1996R.09.03-01 powder coated steel



### Sections

#### Turnable section 1200mm

Article VZR 1702.04

### Barrier railings

#### Barrier railing (double) 440mm

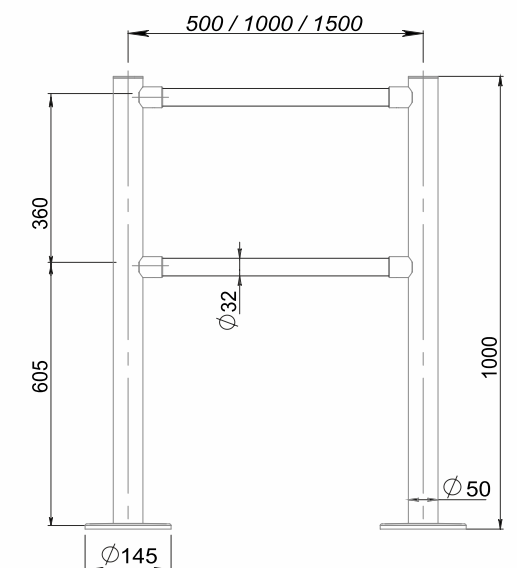
Article VZR 1996.05-01 stainless steel  
Article VZR 1996R.05-01 powder coated steel








#### Barrier railing (double) 940mm







Article VZR 1996.05-02 stainless steel  
Article VZR 1996R.05-02 powder coated steel

#### Barrier railing (double) 1440mm





Article VZR 1996.05-03 stainless steel  
Article VZR 1996R.05-03 powder coated steel







Series CUBE	Turnstile	Housing							Delivery set					Drive		Module				Built-in equipment			Passage width
		powder coated steel	stainless steel	hybrid	colour	IP 41	IP 53	IP 54	anti-panic	rotor	barrier arms	panels	remote control device	presence	side	central	high panels	hybrid	card collector	LED lightening	Passage indication	mm	
	C-01			V	black	V			V	V		V									V	550-580	
	C-02			V	black	V			V	V		V									V	550-580	
	C-03			V	black	V			V	V		V									V	550-580	
	Cube C-04			V	black	V			V	V		V								V	V	565-595	
	Cube C-04-K			V	black	V			V	V		V							V	V	V	565-595	
	Cube C-04-H		V			V			V	V		V								V	V	565-595	
	Cube C-04-HK		V			V			V	V		V							V	V	V	565-595	
	C-05			V	black	V			V	V		V								V	V	565-595	
	C-21	V		V	black	V			V	V		V								V	V	500	
	C-10	V			black, Antique silver				V	V		V									V	642	

Series PRAKTIKA	Turnstile	Housing							Delivery set					Drive		Module				Built-in equipment			Passage width
		powder coated steel	stainless steel	hybrid	colour	IP 41	IP 53	IP 54	anti-panic	rotor	barrier arms	panels	remote control device	presence	side	central	high panels	hybrid	card collector	LED lightening	Passage indication	mm	
	K-01		✓			✓															✓		
		T-01		✓			✓		✓		✓		✓	✓							✓		535-565
	T-01 Aqua		✓			✓		✓		✓		✓	✓	✓							✓		535-565
	T-02		✓			✓		✓		✓		✓	✓	✓							✓		535-565
	T-02-A		✓				✓	✓		✓		✓	✓	✓							✓		535-565
	T-02-K		✓			✓		✓		✓		✓	✓	✓				✓		✓	✓		535-565
	T-03		✓			✓		✓		✓		✓	✓	✓							✓		535-565
	T-03-K		✓			✓		✓		✓		✓	✓	✓				✓		✓	✓		535-565
	T-03-D		✓			✓		✓		✓		✓	✓	✓							✓		535-565
	T-03-DK		✓			✓		✓		✓		✓	✓	✓				✓		✓	✓		535-565
	T-04-SM-660		✓			✓		✓			✓	✓	✓	✓	✓						✓		660
	T-04-SM-900		✓			✓		✓			✓	✓	✓	✓	✓						✓		900
	T-04-SMK-660		✓			✓		✓			✓	✓	✓	✓	✓				✓		✓		660
	T-04-SMK-900		✓			✓		✓			✓	✓	✓	✓	✓				✓		✓		900
	T-04-SMT-660		✓			✓		✓			✓	✓	✓	✓							✓		660
	T-04-SMT-900		✓			✓		✓			✓	✓	✓	✓				✓			✓		900
	T-04-SMTK-660		✓			✓		✓			✓	✓	✓	✓				✓		✓	✓		660
	T-04-SMTK-900		✓			✓		✓			✓	✓	✓	✓				✓		✓	✓		900
	T-04-CM-660		✓			✓		✓			✓	✓	✓	✓							✓		660
	T-04-CM-900		✓			✓		✓			✓	✓	✓	✓							✓		900
	T-04-CMK-660		✓			✓		✓			✓	✓	✓	✓				✓		✓	✓		660
	T-04-CMK-900		✓			✓		✓			✓	✓	✓	✓				✓		✓	✓		900
	T-04-CMT-660		✓			✓		✓			✓	✓	✓	✓							✓		660
	T-04-CMT-900		✓			✓		✓			✓	✓	✓	✓							✓		900
	T-04-CMTK-660		✓			✓		✓			✓	✓	✓	✓				✓		✓	✓		660
	T-04-CMTK-900		✓			✓		✓			✓	✓	✓	✓				✓		✓	✓		900



Series PRAKTIKA	Turnstile	Housing							Delivery set					Drive		Module				Built-in equipment			Passage width
		powder coated steel	stainless steel	hybrid	colour	IP 41	IP 53	IP 54	anti-panic	rotor	barrier arms	panels	remote control device	presence	side	central	high panels	hybrid	card collector	LED lightening	Passage indication	mm	
	T-04-GCM-660\900		✓			✓			✓			✓		✓				✓			✓	660\900	
	T-04-GCMK-660\900		✓			✓			✓			✓		✓				✓	✓		✓	660\900	
	T-05-SM-660		✓			✓			✓			✓		✓	✓						✓	660	
	T-05-SM-900		✓			✓			✓			✓		✓	✓						✓	900	
	T-05-SMK-660		✓			✓			✓			✓		✓	✓				✓		✓	660	
	T-05-SMK-900		✓			✓			✓			✓		✓	✓				✓		✓	900	
	T-05-CM-660		✓			✓			✓			✓		✓		✓					✓	660	
	T-05-CM-900		✓			✓			✓			✓		✓		✓					✓	900	
	T-05-CMK-660		✓			✓			✓			✓		✓		✓				✓		✓	660
	T-05-CMK-900		✓			✓			✓			✓		✓		✓				✓		✓	900
	T-05-GCM-660\900		✓			✓			✓			✓		✓				✓			✓	660\900	
	T-05-GCMK-660\900		✓			✓			✓			✓		✓				✓	✓		✓	660\900	
	T-06-SM-660		✓			✓			✓			✓		✓	✓						✓	660	
	T-06-SM-900		✓			✓			✓			✓		✓	✓						✓	900	
	T-06-SM-1200		✓			✓			✓			✓		✓	✓						✓	1200	
	T-06-SMK-660		✓			✓			✓			✓		✓	✓				✓		✓	660	
	T-06-SMK-900		✓			✓			✓			✓		✓	✓				✓		✓	900	
	T-06-SMK-1200		✓			✓			✓			✓		✓	✓				✓		✓	1200	
	T-06-CM-660		✓			✓			✓			✓		✓		✓					✓	660	
	T-06-CM-900		✓			✓			✓			✓		✓		✓					✓	900	
	T-06-CM-1200		✓			✓			✓			✓		✓		✓					✓	1200	
	T-06-CMK-660		✓			✓			✓			✓		✓		✓			✓		✓	660	
	T-06-CMK-900		✓			✓			✓			✓		✓		✓			✓		✓	900	
	T-06-CMK-1200		✓			✓			✓			✓		✓		✓			✓		✓	1200	
	T-06-GCM-660\900		✓			✓			✓			✓		✓				✓			✓	660\900	
	T-06-GCM-900/1200		✓			✓			✓			✓		✓				✓			✓	900\1200	
	T-06-GCMK-660\900		✓			✓			✓			✓		✓				✓	✓		✓	660\900	
	T-06-GCMK-900/1200		✓			✓			✓			✓		✓				✓	✓		✓	900\1200	
		T-07-SM-660		✓			✓			✓			✓		✓	✓						✓	660
		T-07-SM-900		✓			✓			✓			✓		✓	✓						✓	900
T-07-SM-1200			✓			✓			✓			✓		✓	✓						✓	1200	
T-07-SMK-660			✓			✓			✓			✓		✓	✓				✓		✓	660	
T-07-SMK-900			✓			✓			✓			✓		✓	✓				✓		✓	900	
T-07-SMK-1200			✓			✓			✓			✓		✓	✓				✓		✓	1200	
T-07-SMT-660			✓			✓			✓			✓		✓		✓					✓	660	
T-07-SMT-900			✓			✓			✓			✓		✓		✓					✓	900	
T-07-SMTK-660			✓			✓			✓			✓		✓		✓			✓		✓	660	
T-07-SMTK-900			✓			✓			✓			✓		✓		✓			✓		✓	900	
T-07-CM-660			✓			✓			✓			✓		✓		✓					✓	660	
T-07-CM-900			✓			✓			✓			✓		✓		✓					✓	900	
T-07-CM-1200			✓			✓			✓			✓		✓		✓					✓	1200	
T-07-CMK-660			✓			✓			✓			✓		✓		✓			✓		✓	660	

Series PRAKTIKA	Turnstile	Housing						Delivery set					Drive	Module				Built-in equipment			Passage width	
		powder coated steel	stainless steel	hybrid	colour	IP 41	IP 53	IP 54	anti-panic	rotor	barrier arms	panels	remote control device	presence	side	central	high panels	hybrid	card collector	LED lightening	Passage indication	mm
	T-07-CMK-900		✓			✓			✓			✓		✓					✓		✓	900
	T-07-CMK-1200		✓			✓			✓			✓		✓					✓		✓	1200
	T-07-CMT-660		✓			✓			✓			✓		✓		✓					✓	660
	T-07-CMT-900		✓			✓			✓			✓		✓		✓					✓	900
	T-07-CMTK-660		✓			✓			✓			✓		✓		✓	✓		✓		✓	660
	T-07-CMTK-900		✓			✓			✓			✓		✓		✓	✓		✓		✓	900
	T-07-GCM-660\900		✓			✓			✓			✓		✓				✓			✓	660\900
	T-07-GCM-900/1200		✓			✓			✓			✓		✓				✓			✓	900\1200
	T-07-GCMK-660\900		✓			✓			✓			✓		✓				✓	✓		✓	660\900
T-07	T-07-GCMK-900/1200		✓			✓		✓			✓		✓				✓	✓		✓	900\1200	
	T-08-SM-660		✓			✓			✓		✓	✓		✓	✓						✓	660
	T-08-SM-900		✓			✓			✓		✓	✓		✓	✓						✓	900
	T-08-SMK-660		✓			✓			✓		✓	✓		✓	✓			✓		✓	✓	660
	T-08-SMK-900		✓			✓			✓		✓	✓		✓	✓			✓		✓	✓	900
	T-08-CM-660		✓			✓			✓		✓	✓		✓		✓					✓	660
	T-08-CM-900		✓			✓			✓		✓	✓		✓		✓					✓	900
	T-08-CMK-660		✓			✓			✓		✓	✓		✓		✓		✓		✓	✓	660
	T-08-CMK-900		✓			✓			✓		✓	✓		✓		✓		✓		✓	✓	900
	T-08	T-08-GCM-660\900		✓			✓		✓			✓	✓		✓			✓			✓	660\900
T-08	T-08-GCMK-660\900		✓			✓		✓			✓	✓		✓			✓	✓		✓	660\900	
	T-10	✓			as chosen		✓	✓	✓			✓									✓	670
	T-10-M	✓			as chosen		✓	✓	✓			✓		✓							✓	670
	T-10-H		✓				✓	✓	✓			✓									✓	670
	T-10-MH		✓				✓	✓	✓			✓		✓							✓	670
	T-10-G			✓	as chosen		✓	✓	✓			✓		✓							✓	670
	T-10	T-10-GM			✓	as chosen		✓	✓	✓			✓		✓						✓	670
	T-10 Double Pass	✓					✓	✓	✓			✓									✓	670
	T-10-M Double Pass	✓					✓	✓	✓			✓		✓							✓	670
	T-10-H Double Pass		✓				✓	✓	✓			✓									✓	670
	T-10-HM Double Pass		✓				✓	✓	✓			✓		✓							✓	670
	T-10-G Double Pass			✓	as chosen		✓	✓	✓			✓		✓							✓	670
	T-10-DP	T-10-GM Double Pass			✓	as chosen		✓	✓	✓			✓		✓						✓	670

Series QUICK LINE



QL-04



QL-05



QL-10



K-02

Turnstile	Housing							Delivery set					Drive	Module				Built-in equipment			Passage width	
	powder coated steel	stainless steel	hybrid	colour	IP 41	IP 53	IP 54	anti-panic	rotor	barrier arms	panels	remote control device	presence	side	central	high panels	hybrid	card collector	LED lightening	Passage indication	mm	
QL-04-SM-660		✓			✓			✓			✓	✓	✓	✓					✓	✓	✓	660
QL-04-SM-900		✓			✓			✓			✓	✓	✓	✓					✓	✓	✓	900
QL-04-SMK-660		✓			✓			✓			✓	✓	✓	✓				✓	✓	✓	✓	660
QL-04-SMK-900		✓			✓			✓			✓	✓	✓	✓				✓	✓	✓	✓	900
QL-04-CM-660		✓			✓			✓			✓	✓	✓		✓				✓	✓	✓	660
QL-04-CM-900		✓			✓			✓			✓	✓	✓		✓				✓	✓	✓	900
QL-04-CMK-660		✓			✓			✓			✓	✓	✓		✓			✓	✓	✓	✓	660
QL-04-CMK-900		✓			✓			✓			✓	✓	✓		✓			✓	✓	✓	✓	900
QL-04-GCM-660\900		✓			✓			✓			✓	✓	✓				✓		✓	✓	✓	660\900
QL-04-GCMK-660\900		✓			✓			✓			✓	✓	✓				✓	✓	✓	✓	✓	660\900
QL-05-SM-660		✓			✓			✓			✓	✓	✓	✓						✓	✓	660
QL-05-SM-900		✓			✓			✓			✓	✓	✓	✓						✓	✓	900
QL-05-SMK-660		✓			✓			✓			✓	✓	✓	✓				✓	✓	✓	✓	660
QL-05-SMK-900		✓			✓			✓			✓	✓	✓	✓				✓	✓	✓	✓	900
QL-05-SMT-660		✓			✓			✓			✓	✓	✓		✓					✓	✓	660
QL-05-SMTK-900		✓			✓			✓			✓	✓	✓		✓			✓	✓	✓	✓	900
QL-05-CM-660		✓			✓			✓			✓	✓	✓		✓					✓	✓	660
QL-05-CM-900		✓			✓			✓			✓	✓	✓		✓					✓	✓	900
QL-05-CMK-660		✓			✓			✓			✓	✓	✓		✓			✓	✓	✓	✓	660
QL-05-CMK-900		✓			✓			✓			✓	✓	✓		✓			✓	✓	✓	✓	900
QL-05-CMT-660		✓			✓			✓			✓	✓	✓		✓	✓				✓	✓	660
QL-05-CMTK-660		✓			✓			✓			✓	✓	✓		✓	✓		✓	✓	✓	✓	660
QL-05-GCM-660\900		✓			✓			✓			✓	✓	✓				✓		✓	✓	✓	660\900
QL-05-GCMK-660\900		✓			✓			✓			✓	✓	✓				✓	✓	✓	✓	✓	660\900
QL-10	✓			as chosen			✓	✓	✓	✓	✓	✓							✓	✓	✓	670
QL-10-M	✓			as chosen			✓	✓	✓	✓	✓	✓	✓						✓	✓	✓	670
QL-10-H		✓					✓	✓	✓	✓	✓	✓							✓	✓	✓	670
QL-10-HM		✓					✓	✓	✓	✓	✓	✓	✓						✓	✓	✓	670
QL-10-G			✓	as chosen			✓	✓	✓	✓	✓	✓							✓	✓	✓	670
QL-10-GM			✓	as chosen			✓	✓	✓	✓	✓	✓	✓						✓	✓	✓	670
QL K-02		✓			✓															✓	✓	

